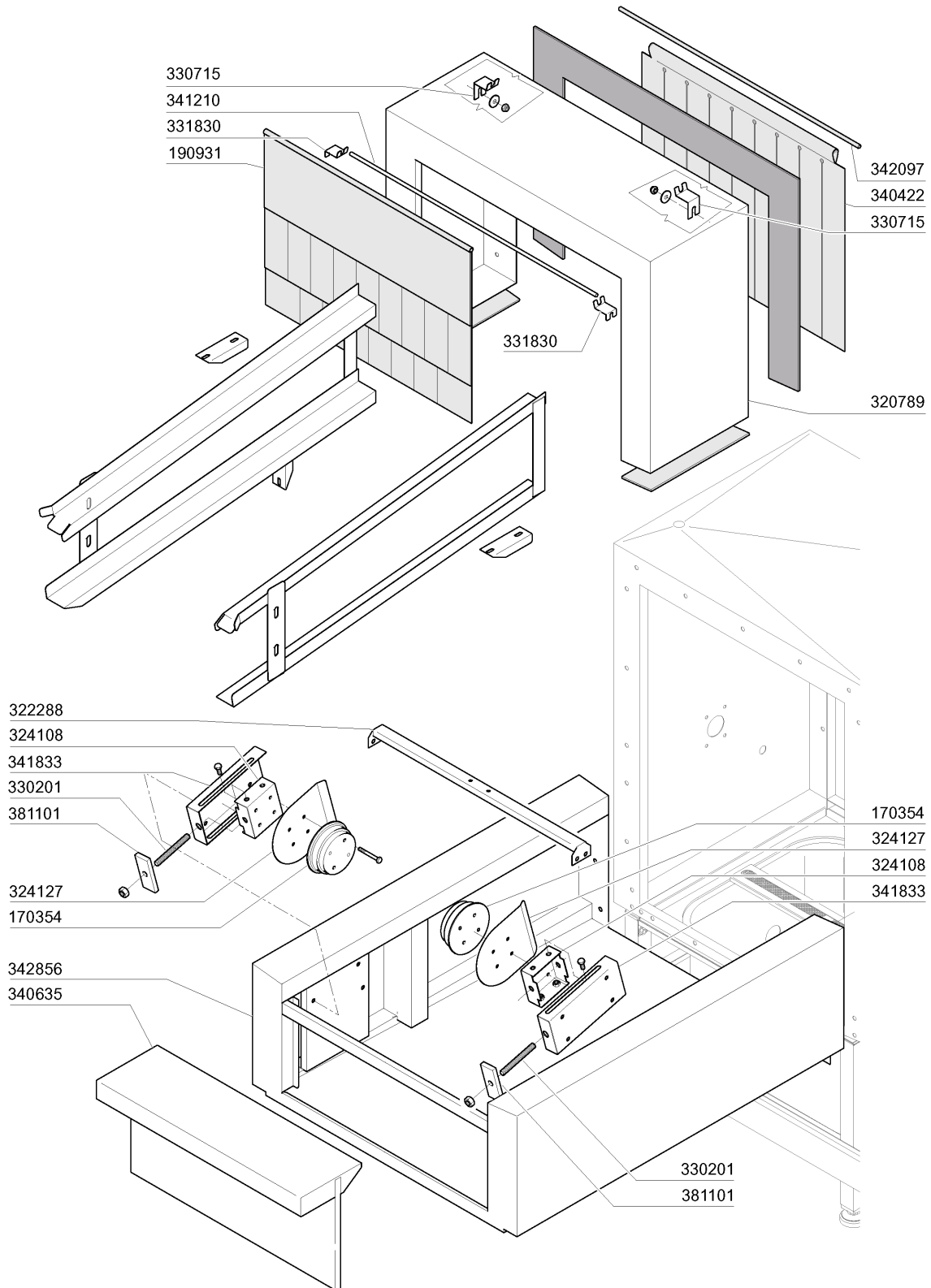


## 2 - Loading table 1000

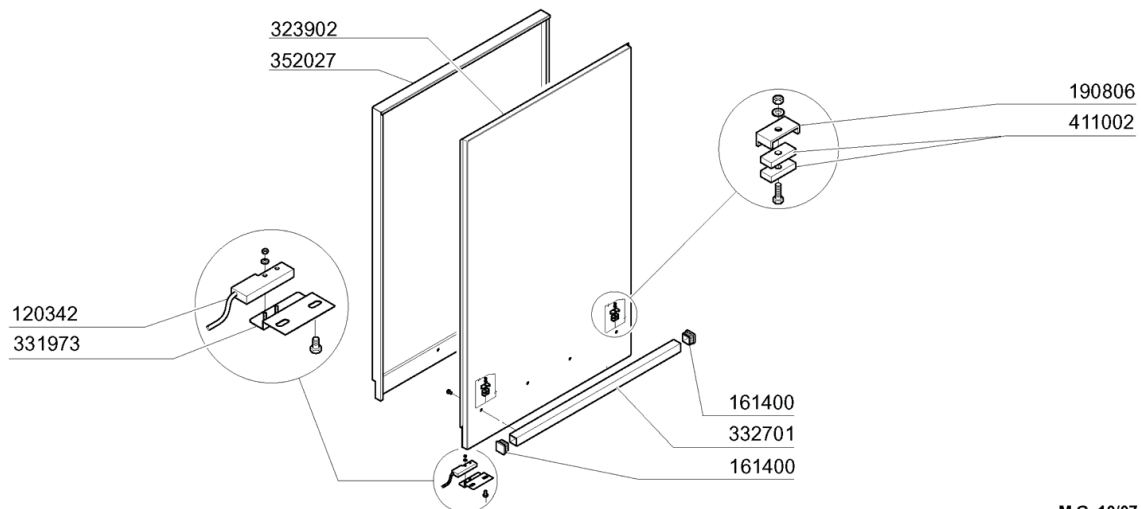
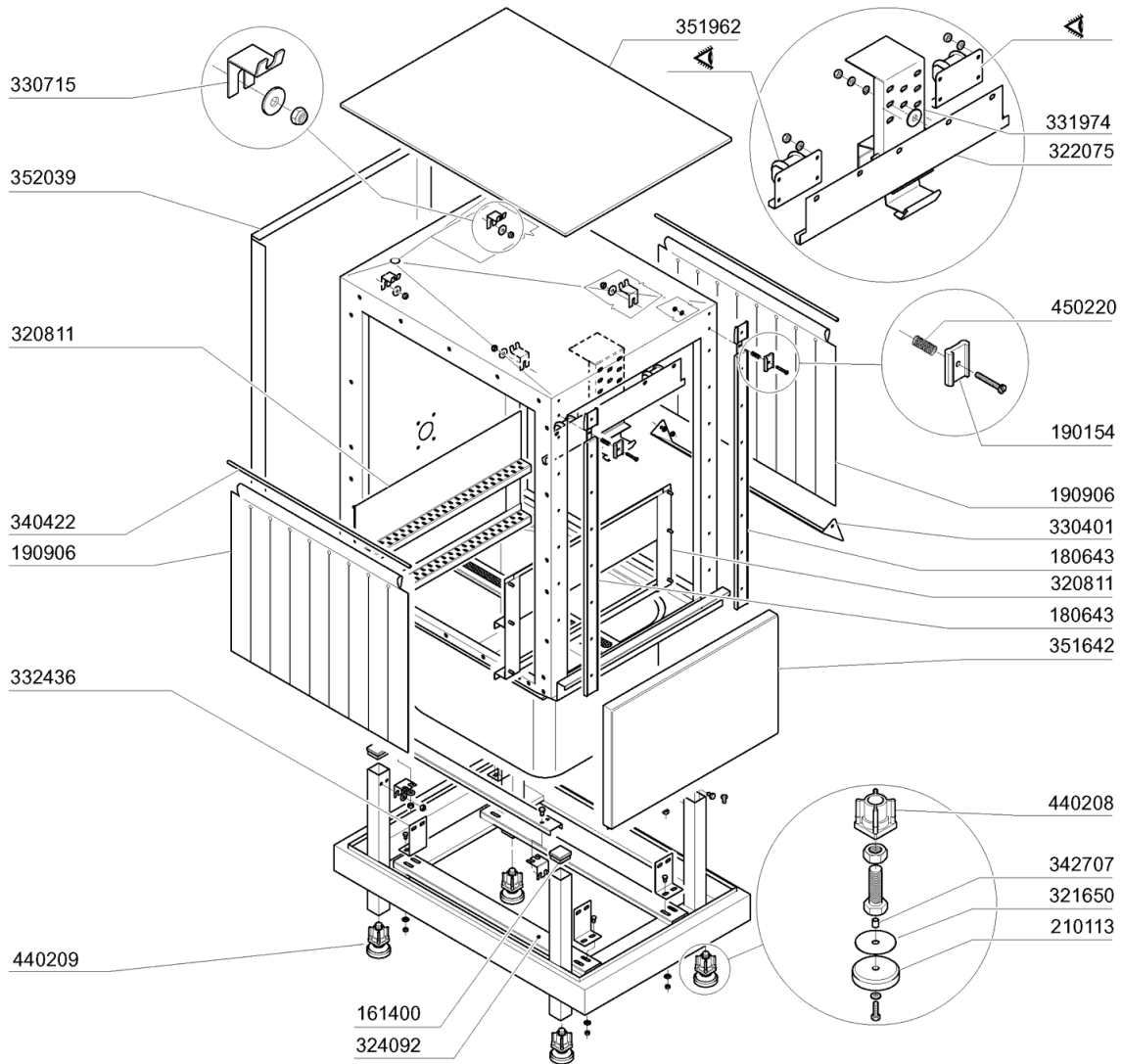


M.G. 10/07

2 - Loading table 1000

| CODE   | DESCRIPTION                  |
|--------|------------------------------|
| 170354 | ROLLER                       |
| 190931 | CURTAIN OUT BTM-NE/2         |
| 320789 | HOOD                         |
| 322288 | SUPPORT FOR GUIDES           |
| 324108 | SUPPORT                      |
| 324127 | PANEL                        |
| 330201 | ROD FOR BELT ADJUSTING "N"   |
| 330715 | UPPER BRACKET CURTAIN SNL-SE |
| 331830 | BRACKET FOR CURTAIN          |
| 340422 | SHAFT FOR CURTAIN AC-ACR     |
| 340635 | PANEL FOR TABLE 1000 NL      |
| 341210 | CURTAIN SHAFTS N 2S GM       |
| 341833 | SUPPORT                      |
| 342097 | SHAFT                        |
| 342856 | INLET TABLE                  |
| 381101 | PLATE                        |

### 3 - Prewash Assembly 600mm

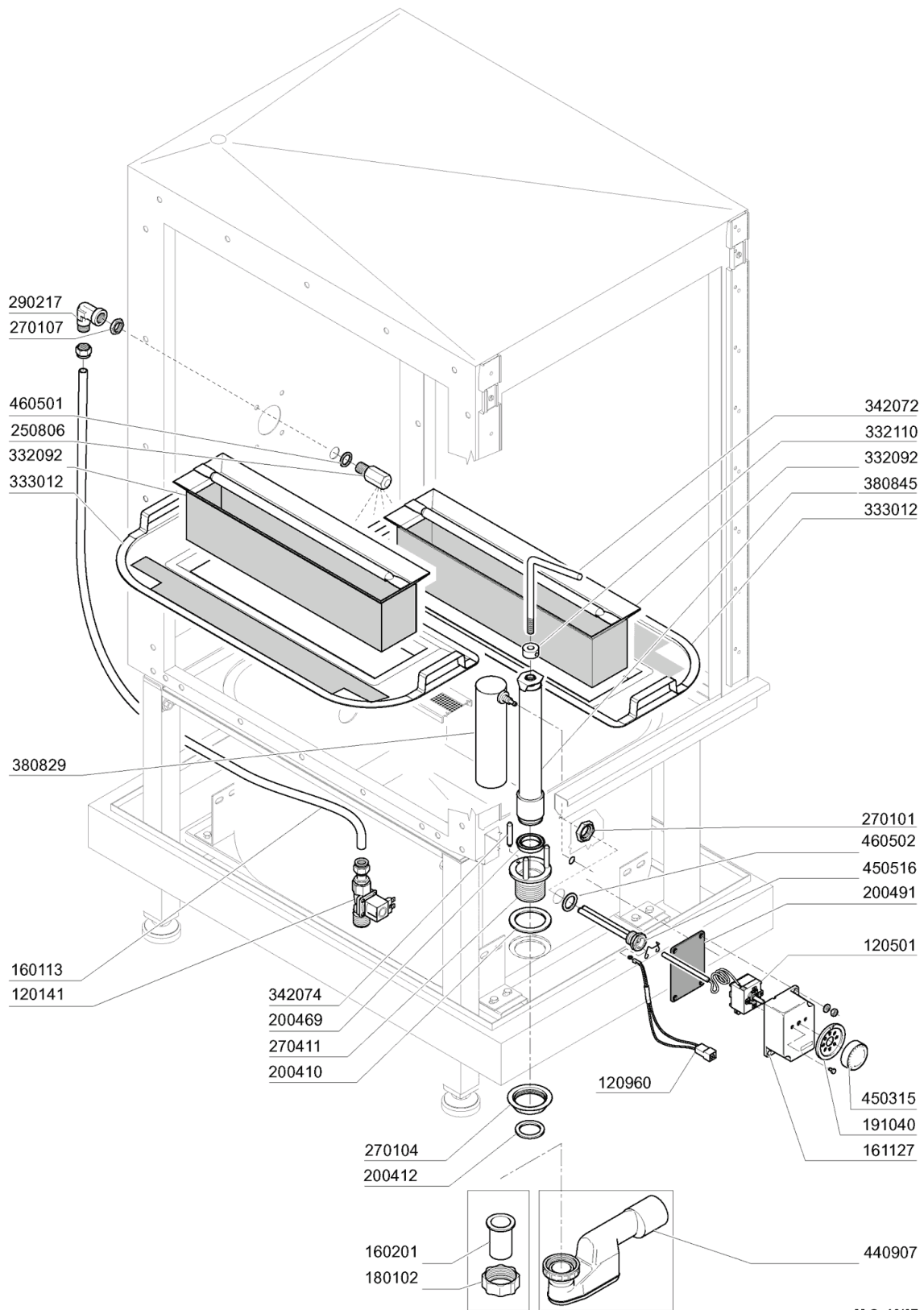


M.G. 10/07

### 3 - Prewash Assembly 600mm

| CODE   | DESCRIPTION                  |
|--------|------------------------------|
| 120342 | DOR MAGNETIC SWITCH          |
| 161400 | PLUG                         |
| 180643 | NE DOOR RAIL WITH BRAKE      |
| 190154 | BRAKE                        |
| 190806 | MAGNET HOUSING               |
| 190906 | CURTAIN IN/OUT 620X480       |
| 210113 | FOOT NE/2                    |
| 320811 | PREWASH 600 NE GUIDE         |
| 321650 | PLATE FOR FOOT               |
| 322075 | SUPPORT                      |
| 323902 | INSULATED DOOR 600 NL2       |
| 324092 | SUPPORT                      |
| 330401 | SPARTIACQ.SEMPL.VASCA NE BTM |
| 330715 | UPPER BRACKET CURTAIN SNL-SE |
| 331973 | DOOR MICRO SWITCH BRACKET    |
| 331974 | SUPPORT FOR DOOR HOOK        |
| 332436 | BRACKET                      |
| 332701 | DOOR HANDLE 600 NL2          |
| 340422 | SHAFT FOR CURTAIN AC-ACR     |
| 342707 | SPACER                       |
| 351642 | PANEL 600MM NE               |
| 351962 | UPPER PANEL FOR HOOD 600     |
| 352027 | INSULATED PANEL 600          |
| 352039 | BACK PANEL 600               |
| 411002 | PERMANENT MAGNET 24X12       |
| 440208 | FOOT INSERT                  |
| 440209 | COMPLETE FOOT NE             |
| 450220 | SPRING                       |

4 - Prewash Tank 600mm

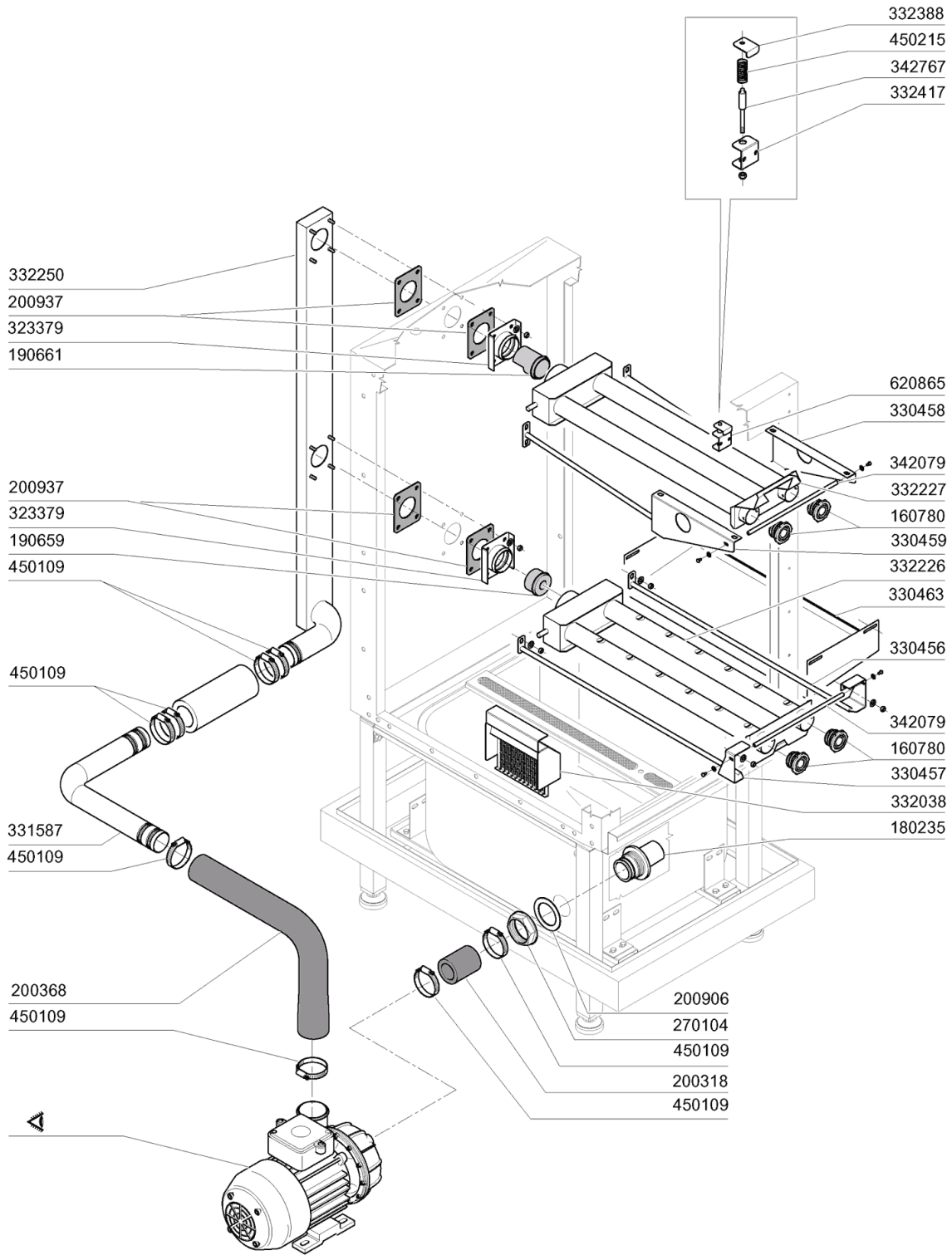


M.G. 10/07

4 - Prewash Tank 600mm

| CODE   | DESCRIPTION                     |
|--------|---------------------------------|
| 120141 | SOLE.N.VALVE METAL.328000 D.1/2 |
| 120501 | THERMOSTAT 30/90ØC              |
| 120960 | PROBE C-G                       |
| 160113 | TUBE IN POL. RETIC. 12 EST      |
| 160201 | ELBOW F.TANK INLET MOPLEN       |
| 161127 | BOX FOR THERMOSTAT              |
| 180102 | DRAIN PIPE NUT 1"1/2 F45-55     |
| 191040 | FRAME F.THERMOSTAT KNOB         |
| 200410 | DRAIN OUTL.WASH.1 1/2"65X47X2   |
| 200412 | GASKET DRAIN 11/2" 45X33X3      |
| 200469 | STAND PIPE O RING 45X35,5X7     |
| 200491 | BACK GASKET OF THERMOSTAT BOX   |
| 250806 | TANK FILL HOSE CLAMP - AC/ACR   |
| 270101 | HEXAGON LOCK NUT 1/2"           |
| 270104 | LOCK NUT 1" 1/2                 |
| 270107 | BRASS LOCK NUT 3/8" FL803       |
| 270411 | DRAIN OUTLET F. PREWASH/ECOR.   |
| 290217 | HOSE CLAMP ELBOW 12X3/8" TYPE   |
| 332092 | STRAINER FOR PREWASH TANK ACS   |
| 332110 | CLAMPING PIECES                 |
| 333012 | PREWASH FILTER NE02             |
| 342072 | PREWASH ROD NE02                |
| 342074 | PIN                             |
| 380829 | ST/ST AIR CHAMBER FOR NG-NE     |
| 380845 | OVERFLOW PIPE PREWASH TANK NE0  |
| 440907 | SIPHON 1"1/2                    |
| 450315 | KNOB F. THERMOSTAT 90Ø          |
| 450516 | THERMOSTAT SHIELD FOR 2 TERMOS  |
| 460501 | GASKET 24X17X2                  |
| 460502 | GASKET 30X21X2                  |

# 5 - Prewash Assembly 600mm



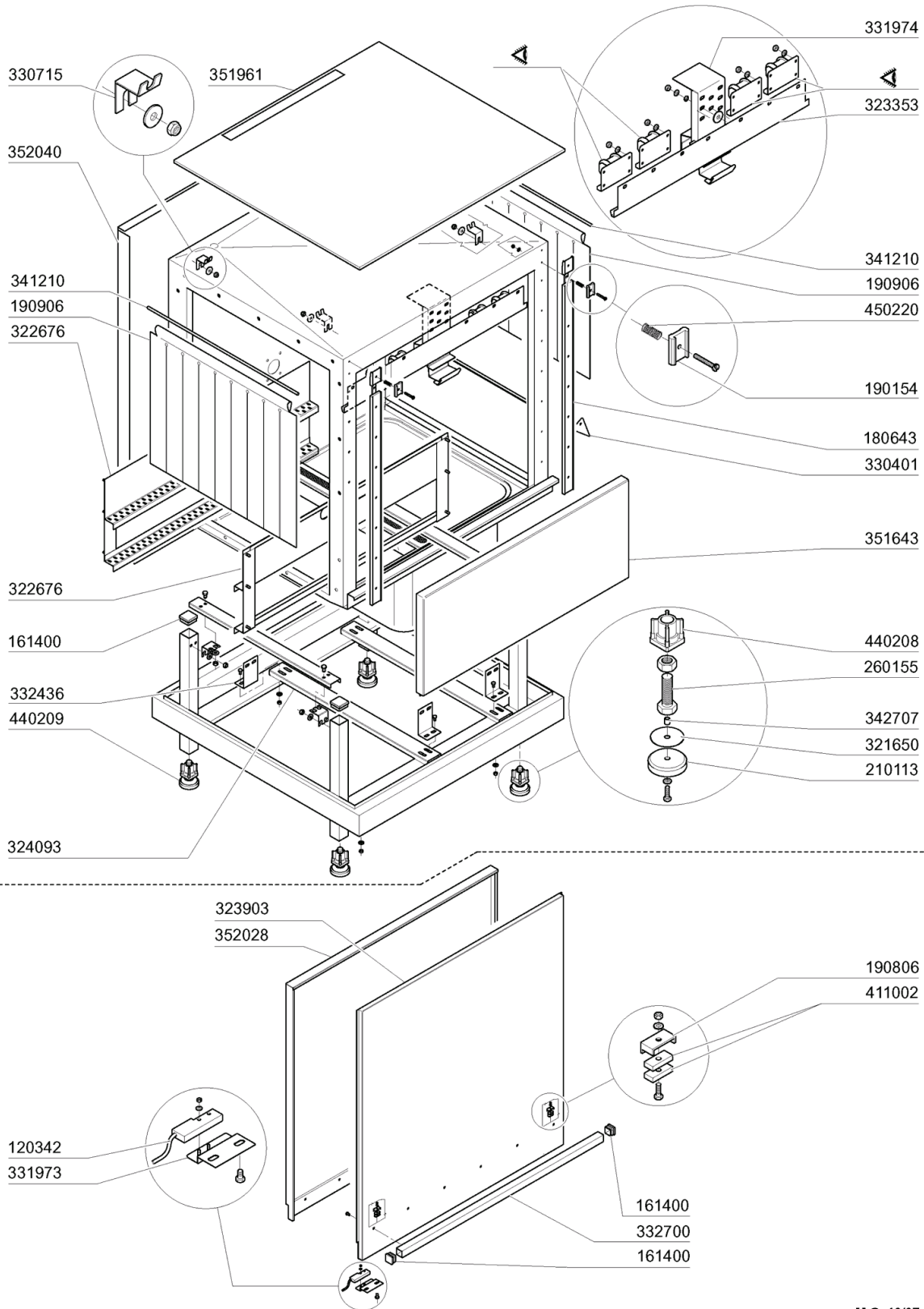
M.G. 10/07

## 5 - Prewash Assembly 600mm

| CODE   | DESCRIPTION                    |
|--------|--------------------------------|
| 160780 | PLUG FOR WASH ARM              |
| 180235 | PUMP SUCTION C85-140           |
| 190659 | BUSH                           |
| 190661 | BUSH                           |
| 200318 | INLET HOSE 64X76 C34 SE        |
| 200368 | OUTLET HOSE S90-S N L          |
| 200906 | GASKET D.92X66X2               |
| 200937 | GASKET F.LOWER WASH ARM        |
| 270104 | LOCK NUT 1" 1/2                |
| 323379 | HOOK FOR WASH MANIFOLD         |
| 330456 | RIGHT BRACKET                  |
| 330457 | LEFT BRACKET                   |
| 330458 | RIGHT BRACKET                  |
| 330459 | LEFT BRACKET                   |
| 330463 | PANEL                          |
| 331587 | DELIVERY ELBOW AC-ACR WASH     |
| 332038 | FILTER FOR PUMP                |
| 332226 | PREWASH MANIFOLD               |
| 332227 | PREWASH MANIFOLD               |
| 332250 | PREWASH RAMP                   |
| 332388 | BRACKET                        |
| 332417 | BRACKET                        |
| 342079 | PREWASH ARM PIN                |
| 342767 | PIN                            |
| 450109 | CLAMP 50-65                    |
| 450215 | SPRING F.SWITCH ROD R/B41-11-2 |
| 620865 | WASH ARM SUPPORT NE02          |



6 - Wash Hood 900mm

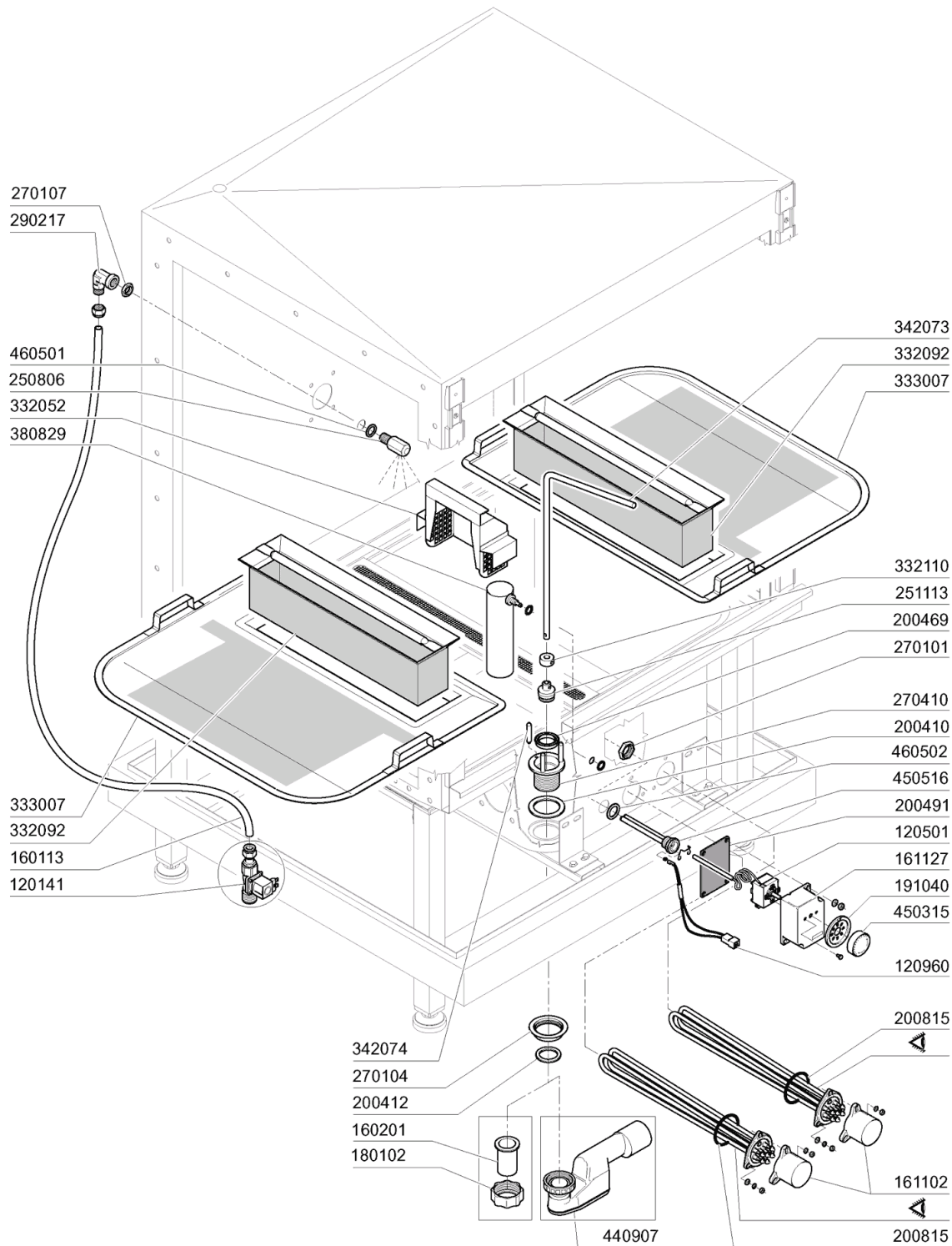


M.G. 10/07

6 - Wash Hood 900mm

| CODE   | DESCRIPTION                  |
|--------|------------------------------|
| 120342 | DOR MAGNETIC SWITCH          |
| 161400 | PLUG                         |
| 180643 | NE DOOR RAIL WITH BRAKE      |
| 190154 | BRAKE                        |
| 190806 | MAGNET HOUSING               |
| 190906 | CURTAIN IN/OUT 620X480       |
| 210113 | FOOT NE/2                    |
| 260155 | SCREW M16X80 ST.STEEL        |
| 321650 | PLATE FOR FOOT               |
| 322676 | WASH GUIDE 900 NE/2          |
| 323353 | SUPPORT                      |
| 323903 | INSULATED DOOR 900 NL2       |
| 324093 | SUPPORT                      |
| 330401 | SPARTIACQ.SEMPL.VASCA NE BTM |
| 330715 | UPPER BRACKET CURTAIN SNL-SE |
| 331973 | DOOR MICRO SWITCH BRACKET    |
| 331974 | SUPPORT FOR DOOR HOOK        |
| 332436 | BRACKET                      |
| 332700 | DOOR HANDLE 900 NL2          |
| 341210 | CURTAIN SHAFTS N 2S GM       |
| 342707 | SPACER                       |
| 351643 | PANEL 900MM NE               |
| 351961 | UPPER PANEL FOR HOOD 900     |
| 352028 | INSULATED PANEL 900          |
| 352040 | .                            |
| 411002 | PERMANENT MAGNET 24X12       |
| 440208 | FOOT INSERT                  |
| 440209 | COMPLETE FOOT NE             |
| 450220 | SPRING                       |

7 - Wash tank 900mm

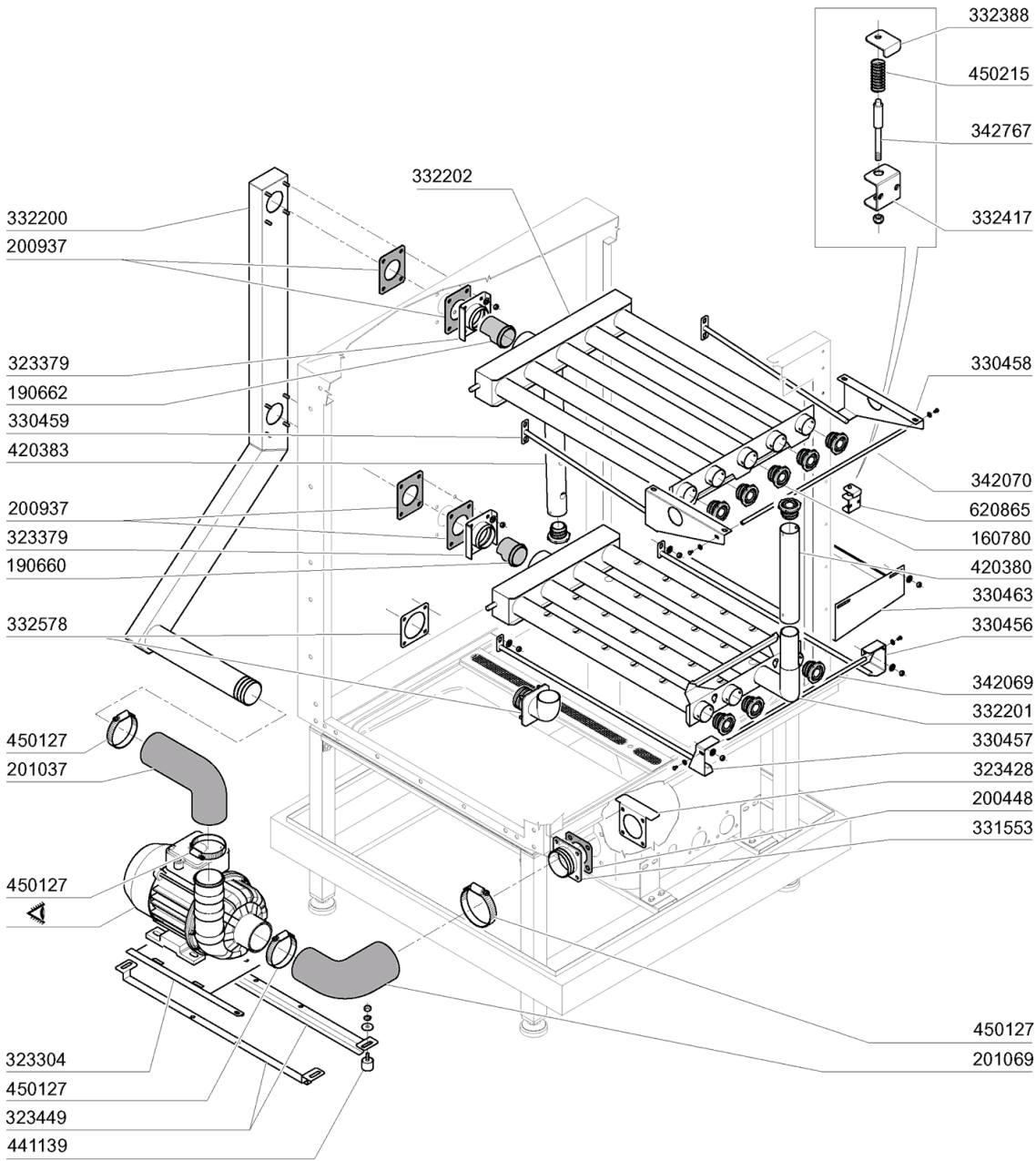


M.G. 10/07

7 - Wash tank 900mm

| CODE   | DESCRIPTION                     |
|--------|---------------------------------|
| 120141 | SOLE.N.VALVE METAL.328000 D.1/2 |
| 120501 | THERMOSTAT 30/90ØC              |
| 120960 | PROBE C-G                       |
| 160113 | TUBE IN POL. RETIC. 12 EST      |
| 160201 | ELBOW F.TANK INLET MOPLN        |
| 161102 | ELEMENT COVER MOPL.             |
| 161127 | BOX FOR THERMOSTAT              |
| 180102 | DRAIN PIPE NUT 1"1/2 F45-55     |
| 191040 | FRAME F.THERMOSTAT KNOB         |
| 200410 | DRAIN OUTL.WASH.1 1/2"65X47X2   |
| 200412 | GASKET DRAIN 11/2" 45X33X3      |
| 200469 | STAND PIPE O RING 45X35,5X7     |
| 200491 | BACK GASKET OF THERMOSTAT BOX   |
| 200815 | O-RING F. HEAT.ELEM.            |
| 250806 | TANK FILL HOSE CLAMP - AC/ACR   |
| 251113 | PLUG FOR DRAIN TANK             |
| 270101 | HEXAGON LOCK NUT 1/2"           |
| 270104 | LOCK NUT 1" 1/2                 |
| 270107 | BRASS LOCK NUT 3/8" FL803       |
| 270410 | TANK DRAIN OUTLET               |
| 290217 | HOSE CLAMP ELBOW 12X3/8" TYPE   |
| 332052 | SUCTION FILTER NG2              |
| 332092 | STRAINER FOR PREWASH TANK ACS   |
| 332110 | CLAMPING PIECES                 |
| 333007 | STRAINER                        |
| 342073 | WASH ROD                        |
| 342074 | PIN                             |
| 380829 | ST/ST AIR CHAMBER FOR NG-NE     |
| 440907 | SIPHON 1"1/2                    |
| 450315 | KNOB F. THERMOSTAT 90Ø          |
| 450516 | THERMOSTAT SHIELD FOR 2 TERMOS  |
| 460501 | GASKET 24X17X2                  |
| 460502 | GASKET 30X21X2                  |

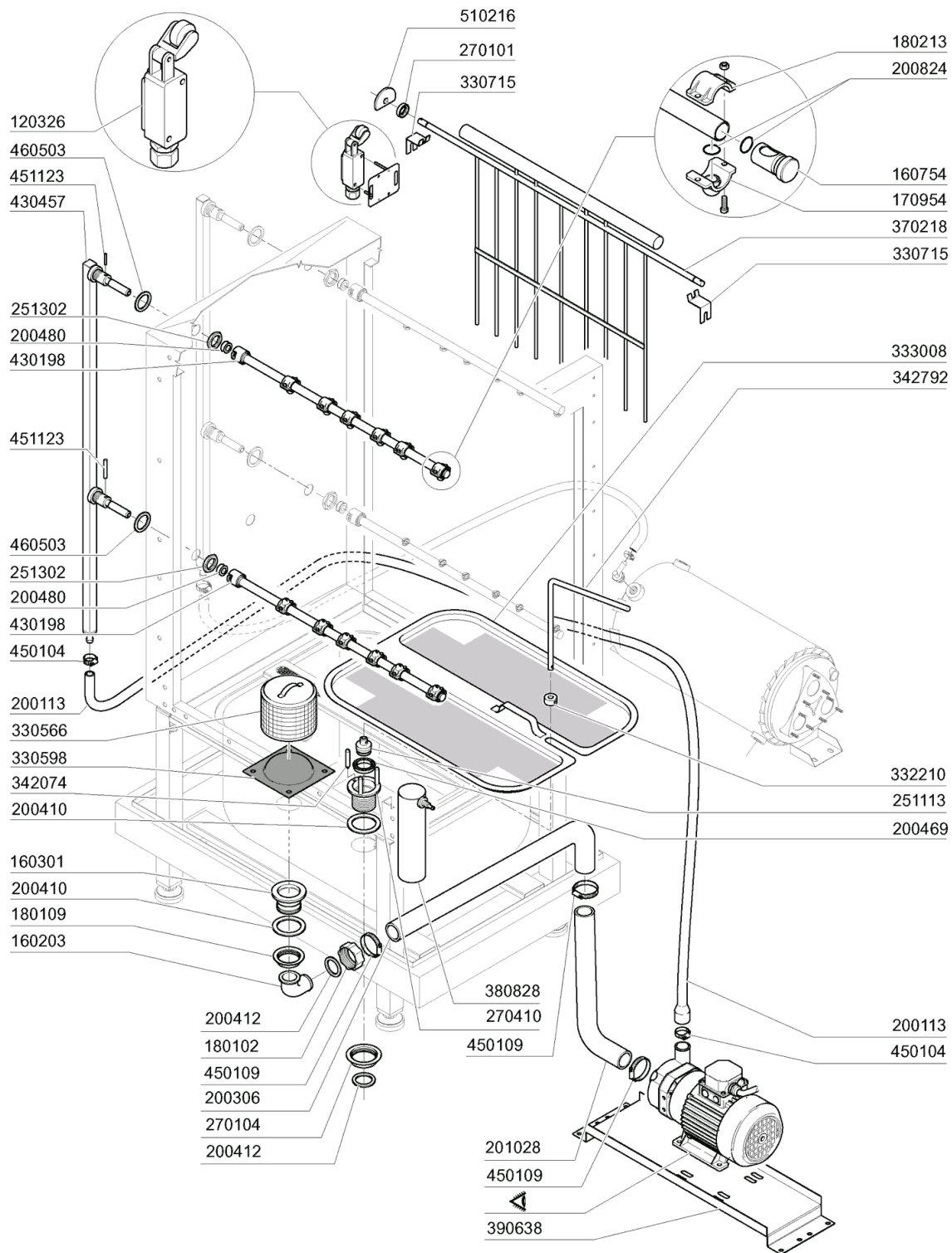
8 - Wash Assembly 900mm



M.G. 10/07

## 8 - Wash Assembly 900mm

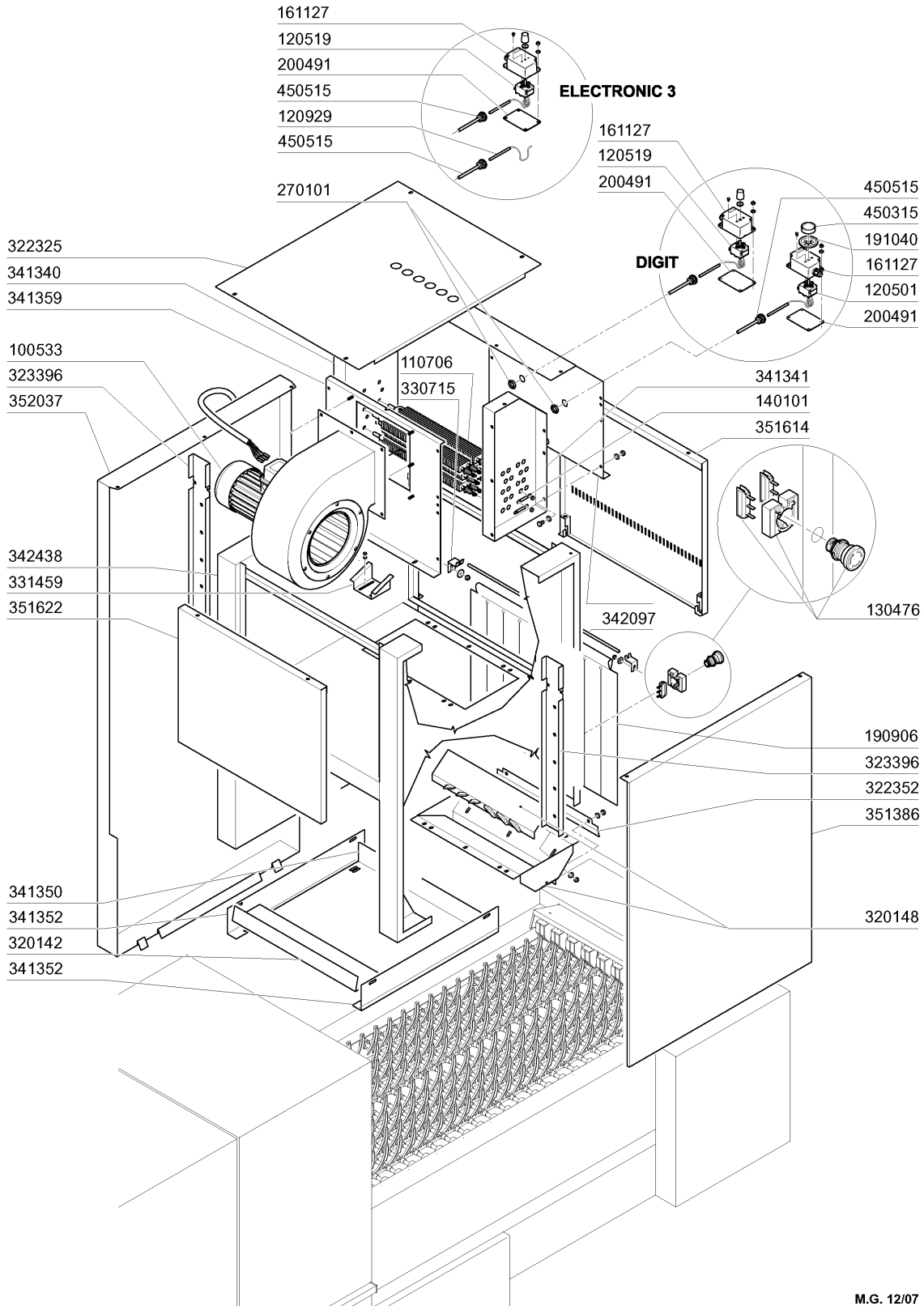
| CODE   | DESCRIPTION                    |
|--------|--------------------------------|
| 160780 | PLUG FOR WASH ARM              |
| 190660 | BUSH                           |
| 190662 | BUSH                           |
| 200448 | GASKET 100X100X3 HOLE D.76     |
| 200937 | GASKET F.LOWER WASH ARM        |
| 201037 | OUTLET HOSE                    |
| 201069 | INLET HOSE                     |
| 323304 | SUPPORT                        |
| 323379 | HOOK FOR WASH MANIFOLD         |
| 323428 | FILTER BRACKET                 |
| 323449 | SUPPORT                        |
| 330456 | RIGHT BRACKET                  |
| 330457 | LEFT BRACKET                   |
| 330458 | RIGHT BRACKET                  |
| 330459 | LEFT BRACKET                   |
| 330463 | PANEL                          |
| 331553 | INLET ELBOW FOR NG-GL WASH PUM |
| 332200 | WASH COLUMN                    |
| 332201 | CONNECTION ELBOW F.LOWER WASH  |
| 332202 | CONNECTION ELBOW F.UPPER WASH  |
| 332388 | BRACKET                        |
| 332417 | BRACKET                        |
| 332578 | OVERFLOW                       |
| 342069 | LOWER WASH ARM PIN             |
| 342070 | UPPER WASH ARM PIN             |
| 342767 | PIN                            |
| 420380 | SIDE WASH ARM                  |
| 420383 | SIDE ARM                       |
| 441139 | VIBRATION-DAMPING FEET 25X20X6 |
| 450127 | CLAMP FE ZN. 68-85 H=12,2      |
| 450215 | SPRING F.SWITCH ROD R/B41-11-2 |
| 620865 | WASH ARM SUPPORT NE02          |



M.G. 10/07

| CODE   | DESCRIPTION                    |
|--------|--------------------------------|
| 120326 | MICRO SWITCH FD 102            |
| 160203 | ELBOW 1"1/2 N-S-F-C /DRAIN     |
| 160301 | DRAIN OUTLET 1"1/2 C-S-N       |
| 160754 | PLUG FOR RINSE ARMS SE NE      |
| 170954 | JET FOR ECORINSE ARM           |
| 180102 | DRAIN PIPE NUT 1"1/2 F45-55    |
| 180109 | LOCK NUT 1 1/2"                |
| 180213 | FLANGE F.JET LOCKING F2-C34    |
| 200113 | RUBBER HOSE 12 X 22            |
| 200306 | INLET HOSE 42X52 ECORINSE-DRAI |
| 200410 | DRAIN OUTL.WASH.1 1/2"65X47X2  |
| 200412 | GASKET DRAIN 11/2" 45X33X3     |
| 200469 | STAND PIPE O RING 45X35,5X7    |
| 200480 | GASKET F. RINSE CONNECT.       |
| 200824 | O-RING 1,78X12,42X15,98        |
| 201028 | OUTLET HOSE F. PREWASH 400MM A |
| 251113 | PLUG FOR DRAIN TANK            |
| 251302 | S/S LOCK NUT 3/4" AC-ACR       |
| 270101 | HEXAGON LOCK NUT 1/2"          |
| 270104 | LOCK NUT 1" 1/2                |
| 270410 | TANK DRAIN OUTLET              |
| 330566 | FILTER 110 FOR ECORINSE TANK   |
| 330598 | ECORINSE FILTER                |
| 330715 | UPPER BRACKET CURTAIN SNL-SE   |
| 332210 | CONNECTION ELBOW               |
| 333008 | ECORINSE STAINER NE2           |
| 342074 | PIN                            |
| 342792 | TIRANTE SCARICO VASCA ECORINS  |
| 370218 | RINSE ECONOMISER FOR NE02      |
| 380828 | ECORINSE AIR CHAMBER AC-ACR ST |
| 390638 | BRACKET                        |
| 430198 | ECORINSE ARM NE02              |
| 430457 | RINSE COLUMN NE02              |
| 450104 | CLAMP FE ZN H=12,5 15-24       |
| 450109 | CLAMP 50-65                    |
| 451123 | ELASTIC PIN 4X16               |
| 460503 | SEALING WASHER 38X27X2(3/4)    |
| 510216 | N RINSE GATE ECCENTRE          |



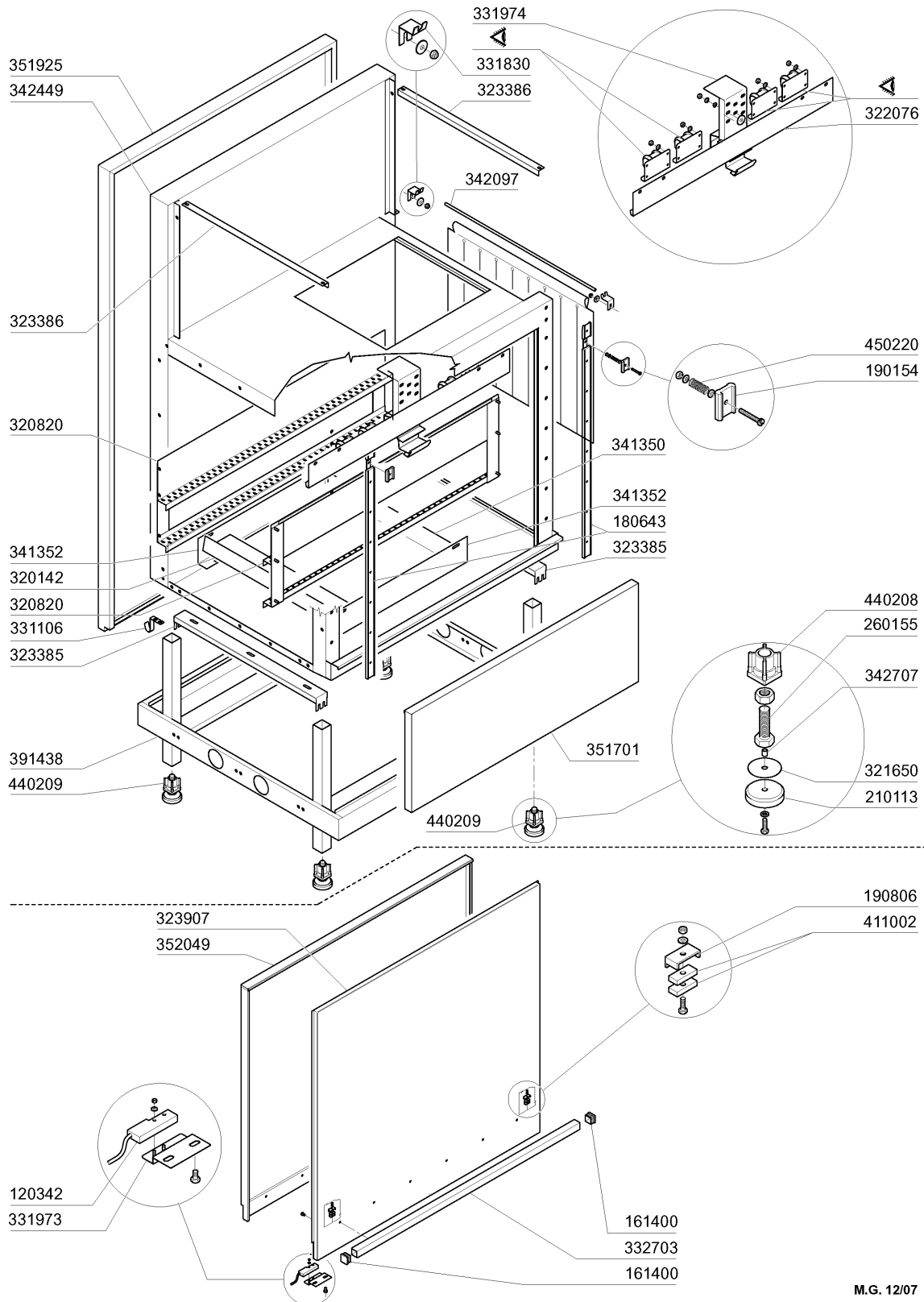


M.G. 12/07

## 10 - Blower Dryer 800

| CODE   | DESCRIPTION                    |
|--------|--------------------------------|
| 100533 | FAN HP 1 220-240-380-415V VRP2 |
| 110706 | DRYER HEAT.ELEMENT 1500W 230V  |
| 120501 | THERMOSTAT 30/90°C             |
| 120519 | SECURITY THERMOSTAT 95-125°C   |
| 120929 | PROBE 12 MT                    |
| 130476 | ROTATIVE EMERGENCY SWITCH      |
| 140101 | BRASS CONNECT. PLATE HEAT.ELEM |
| 161127 | BOX FOR THERMOSTAT             |
| 190906 | CURTAIN IN/OUT 620X480         |
| 191040 | FRAME F.THERMOSTAT KNOB        |
| 200491 | BACK GASKET OF THERMOSTAT BOX  |
| 270101 | HEXAGON LOCK NUT 1/2"          |
| 320142 | DEFLECTOR F. DRYER             |
| 320148 | DEFLECTOR F. DRYER             |
| 322325 | COVER                          |
| 322352 | BRACKET                        |
| 323396 | BRACKET FOR 800MM DRYER HOOD   |
| 330715 | UPPER BRACKET CURTAIN SNL-SE   |
| 331459 | BRACKET FOR DRYING VENTILATOR  |
| 341340 | LEFT SUPPORT                   |
| 341341 | RIGHT SUPPORT                  |
| 341350 | PANEL                          |
| 341352 | SUPPORT                        |
| 341359 | FAN SUPPORT                    |
| 342097 | SHAFT                          |
| 342438 | 800 MM DRYER HOOD              |
| 351386 | 800 MM DRYER SIDE PANEL        |
| 351614 | PANEL                          |
| 351622 | PANEL                          |
| 352037 | 800 MM DRYER BACK PANEL        |
| 450315 | KNOB F. THERMOSTAT 90°C        |
| 450515 | STAINL.ST.SHIELD FOR 1 THERMOS |

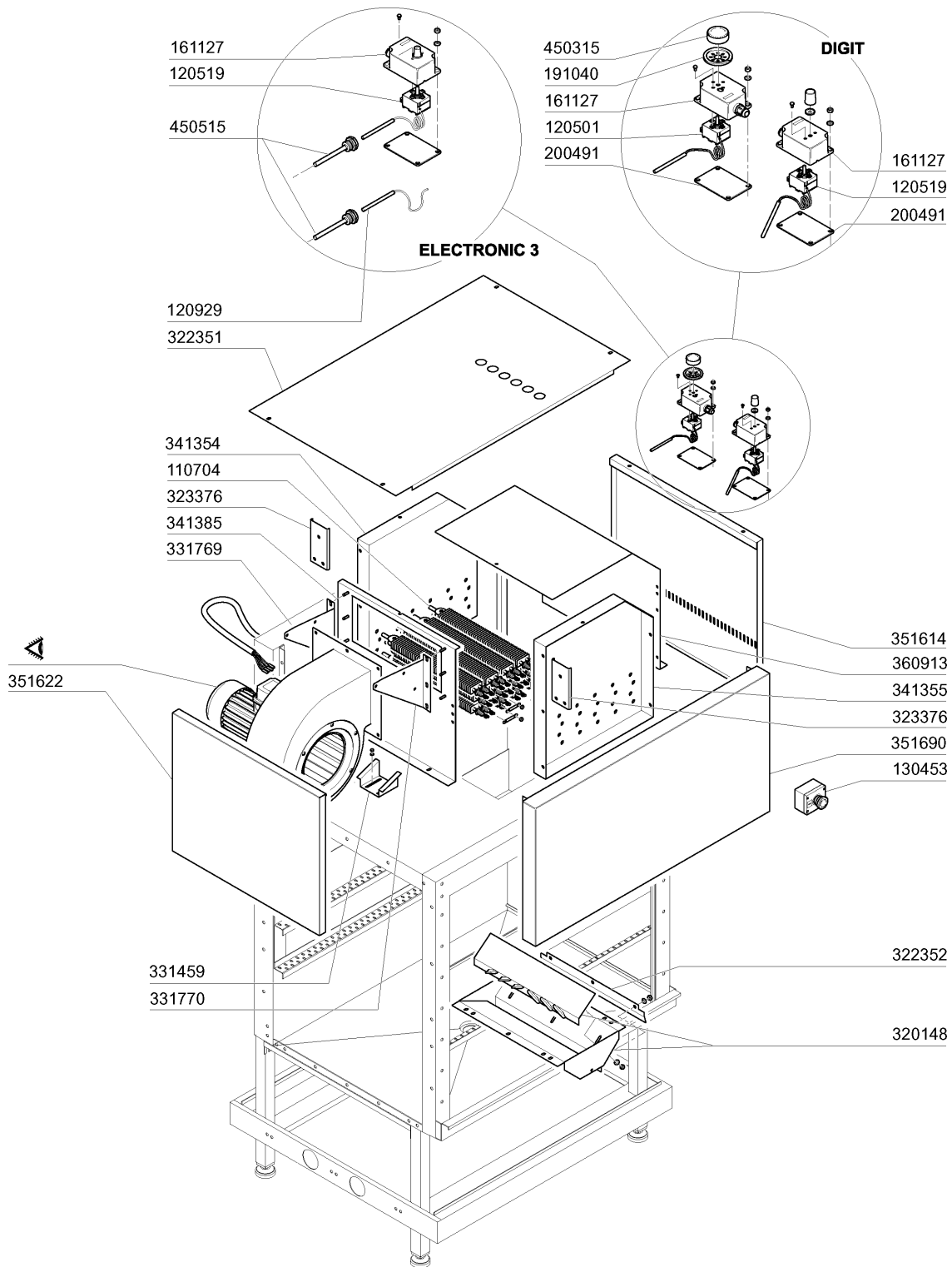
# 11 - Blower Dryer hood 1000



M.G. 12/07

11 - Blower Dryer hood 1000

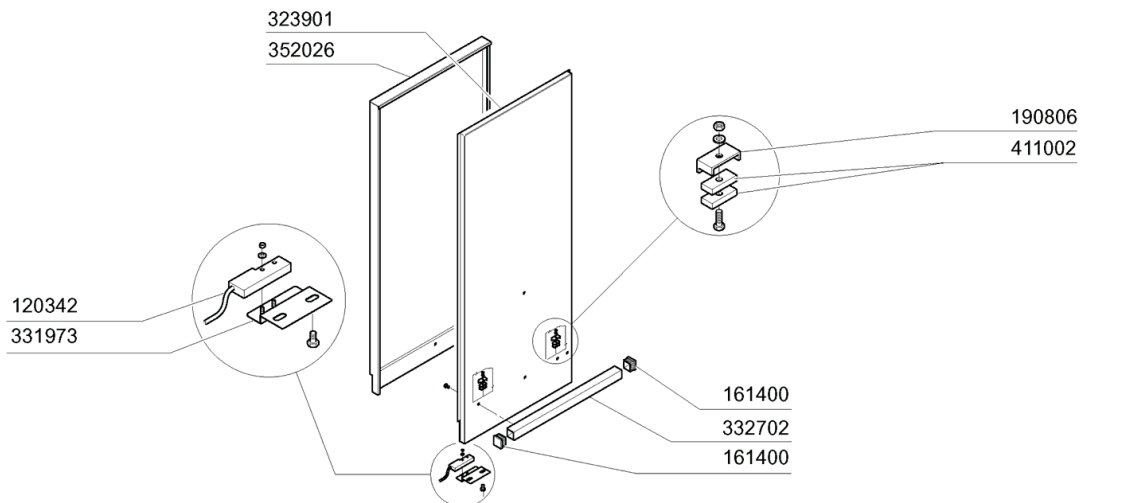
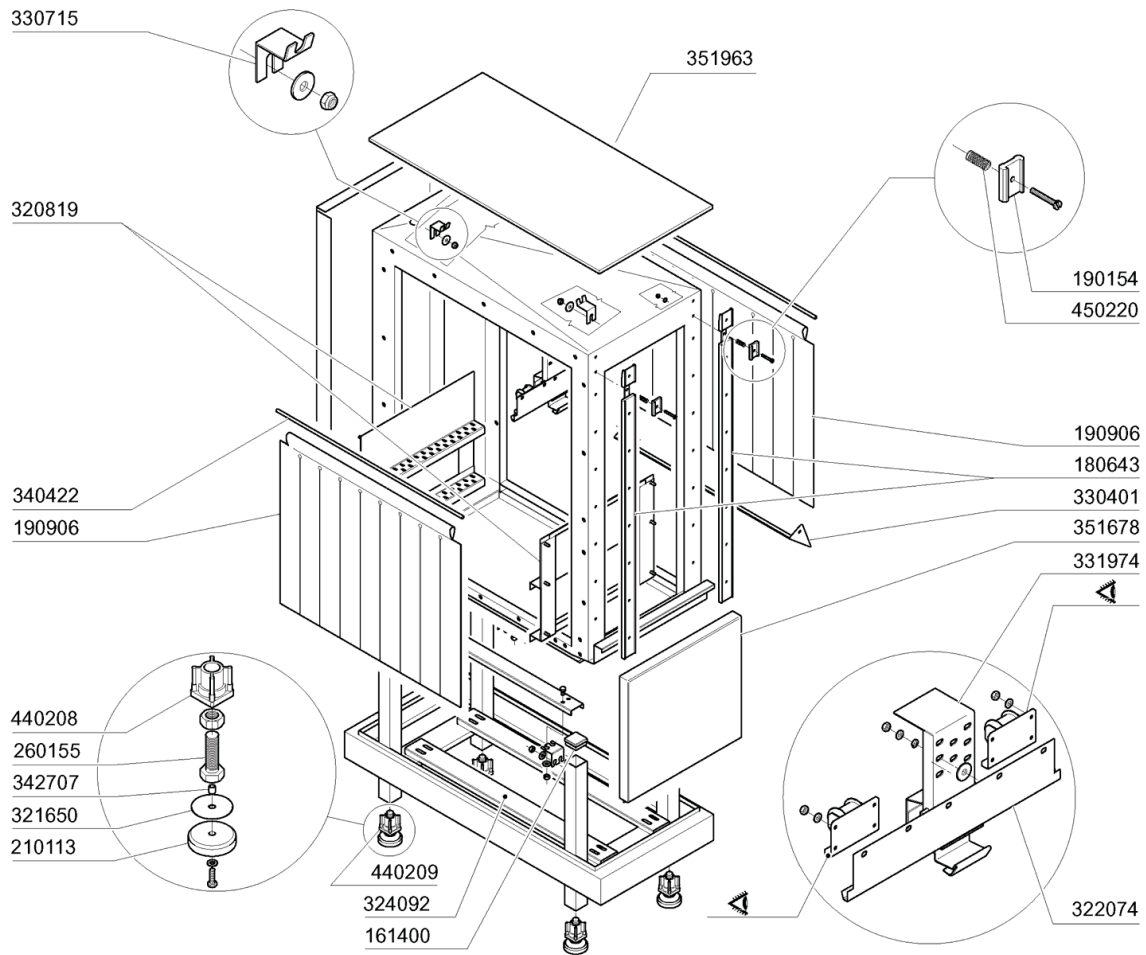
| CODE   | DESCRIPTION                    |
|--------|--------------------------------|
| 120342 | DOR MAGNETIC SWITCH            |
| 161400 | PLUG                           |
| 180643 | NE DOOR RAIL WITH BRAKE        |
| 190154 | BRAKE                          |
| 190806 | MAGNET HOUSING                 |
| 210113 | FOOT NE/2                      |
| 260155 | SCREW M16X80 ST.STEEL          |
| 320142 | DEFLECTOR F. DRYER             |
| 320820 | WASH 1000 GUIDE                |
| 321650 | PLATE FOR FOOT                 |
| 322076 | SUPPORT                        |
| 323385 | SUPPORT                        |
| 323386 | SUPPORT                        |
| 323907 | 1000 DRYER DOOR                |
| 331106 | SUPPORT.HOOK F.UPPER RINSE N-S |
| 331830 | BRACKET FOR CURTAIN            |
| 331973 | DOOR MICRO SWITCH BRACKET      |
| 331974 | SUPPORT FOR DOOR HOOK          |
| 332703 | DOOR HANDLE 1000 NL2           |
| 341350 | PANEL                          |
| 341352 | SUPPORT                        |
| 342097 | SHAFT                          |
| 342449 | 1000 MM DRYER HOOD             |
| 342707 | SPACER                         |
| 351701 | PANEL 1000                     |
| 351925 | PANEL                          |
| 352049 | INSULATED PANEL 1000           |
| 391438 | HOOD                           |
| 411002 | PERMANENT MAGNET 24X12         |
| 440208 | FOOT INSERT                    |
| 440209 | COMPLETE FOOT NE               |
| 450220 | SPRING                         |



**12 - Blower Dryer 1000**

| <b>CODE</b> | <b>DESCRIPTION</b>             |
|-------------|--------------------------------|
| 110704      | HEAT.ELEMENT/DRYING 1000W 220V |
| 120501      | THERMOSTAT 30/90ØC             |
| 120519      | SECURITY THERMOSTAT 95-125Ø    |
| 120929      | PROBE 12 MT                    |
| 130453      | EMERGENCY RED PUSH BUTTON      |
| 161127      | BOX FOR THERMOSTAT             |
| 191040      | FRAME F.THERMOSTAT KNOB        |
| 200491      | BACK GASKET OF THERMOSTAT BOX  |
| 320148      | DEFLECTOR F. DRYER             |
| 322351      | COVER                          |
| 322352      | BRACKET                        |
| 323376      | BRACKET                        |
| 331459      | BRACKET FOR DRYING VENTILATOR  |
| 331769      | ZIEHL FAN SUPPORT              |
| 331770      | ZIEHL FAN SUPPORT              |
| 341354      | RIGHT SUPPORT FOR DRYER 18KW 1 |
| 341355      | LEFT SUPPORT FOR DRYER 18KW 10 |
| 341385      | DRYER FAN SUPPORT FOR NE MACHI |
| 351614      | PANEL                          |
| 351622      | PANEL                          |
| 351690      | FRONT PANEL 1000               |
| 360913      | BACK PANEL 1000MM NE XL        |
| 450315      | KNOB F. THERMOSTAT 90Ø         |
| 450515      | STAINL.ST.SHIELD FOR 1 THERMOS |

# 13 - Rinse Hood



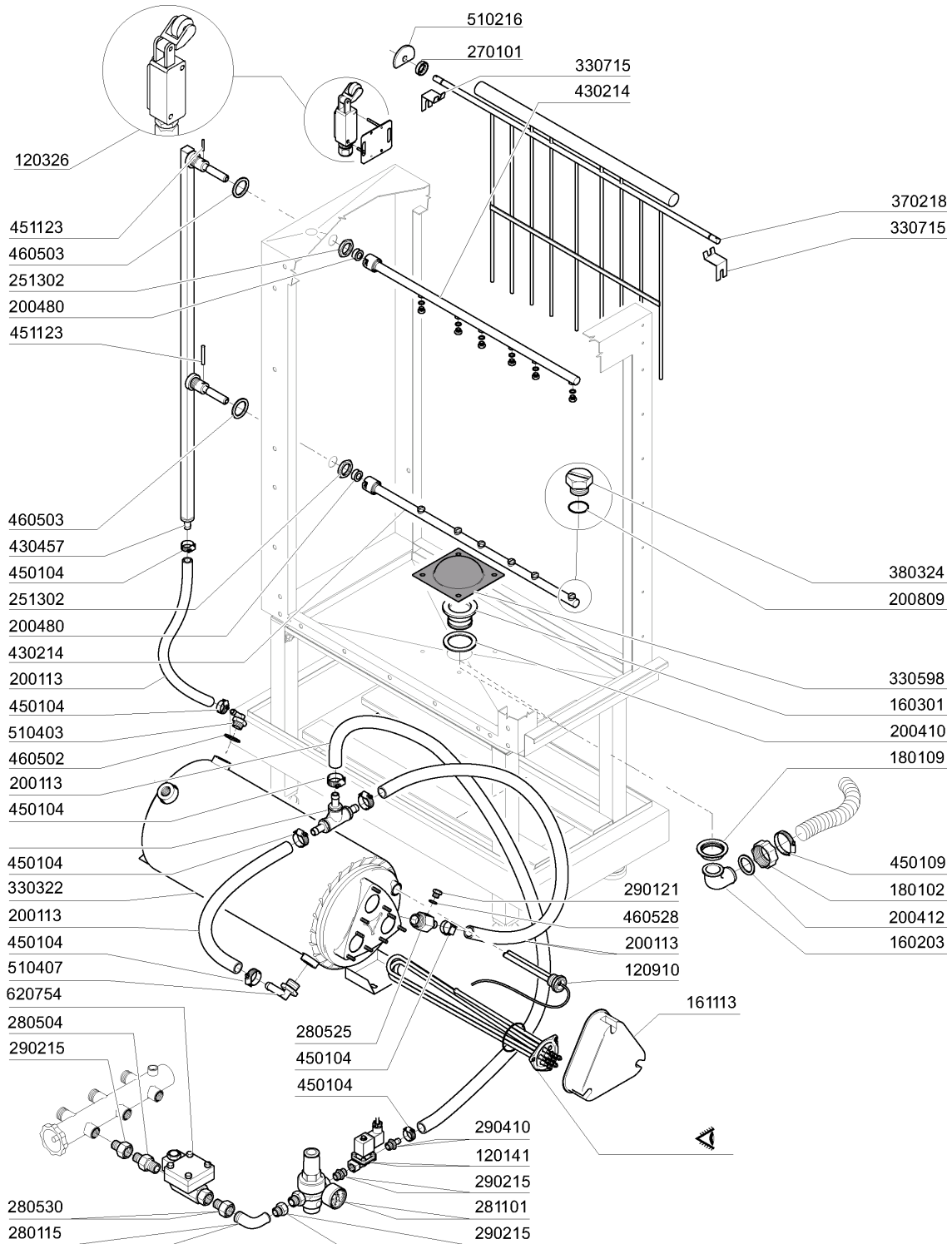
M.G. 10/07

## 13 - Rinse Hood

| CODE   | DESCRIPTION                  |
|--------|------------------------------|
| 120342 | DOR MAGNETIC SWITCH          |
| 161400 | PLUG                         |
| 180643 | NE DOOR RAIL WITH BRAKE      |
| 190154 | BRAKE                        |
| 190806 | MAGNET HOUSING               |
| 190906 | CURTAIN IN/OUT 620X480       |
| 210113 | FOOT NE/2                    |
| 260155 | SCREW M16X80 ST.STEEL        |
| 320819 | RINSE 400 NE GUIDE           |
| 321650 | PLATE FOR FOOT               |
| 322074 | SUPPORT                      |
| 323901 | INSULATED DOOR 400 NL2       |
| 324092 | SUPPORT                      |
| 330401 | SPARTIACQ.SEMPL.VASCA NE BTM |
| 330715 | UPPER BRACKET CURTAIN SNL-SE |
| 331973 | DOOR MICRO SWITCH BRACKET    |
| 331974 | SUPPORT FOR DOOR HOOK        |
| 332702 | DOOR HANDLE 400 NL2          |
| 340422 | SHAFT FOR CURTAIN AC-ACR     |
| 342707 | SPACER                       |
| 351678 | FRONT PANEL 400              |
| 351963 | UPPER PANEL FOR HOOD 400     |
| 352026 | INSULATED PANEL 400          |
| 411002 | PERMANENT MAGNET 24X12       |
| 440208 | FOOT INSERT                  |
| 440209 | COMPLETE FOOT NE             |
| 450220 | SPRING                       |



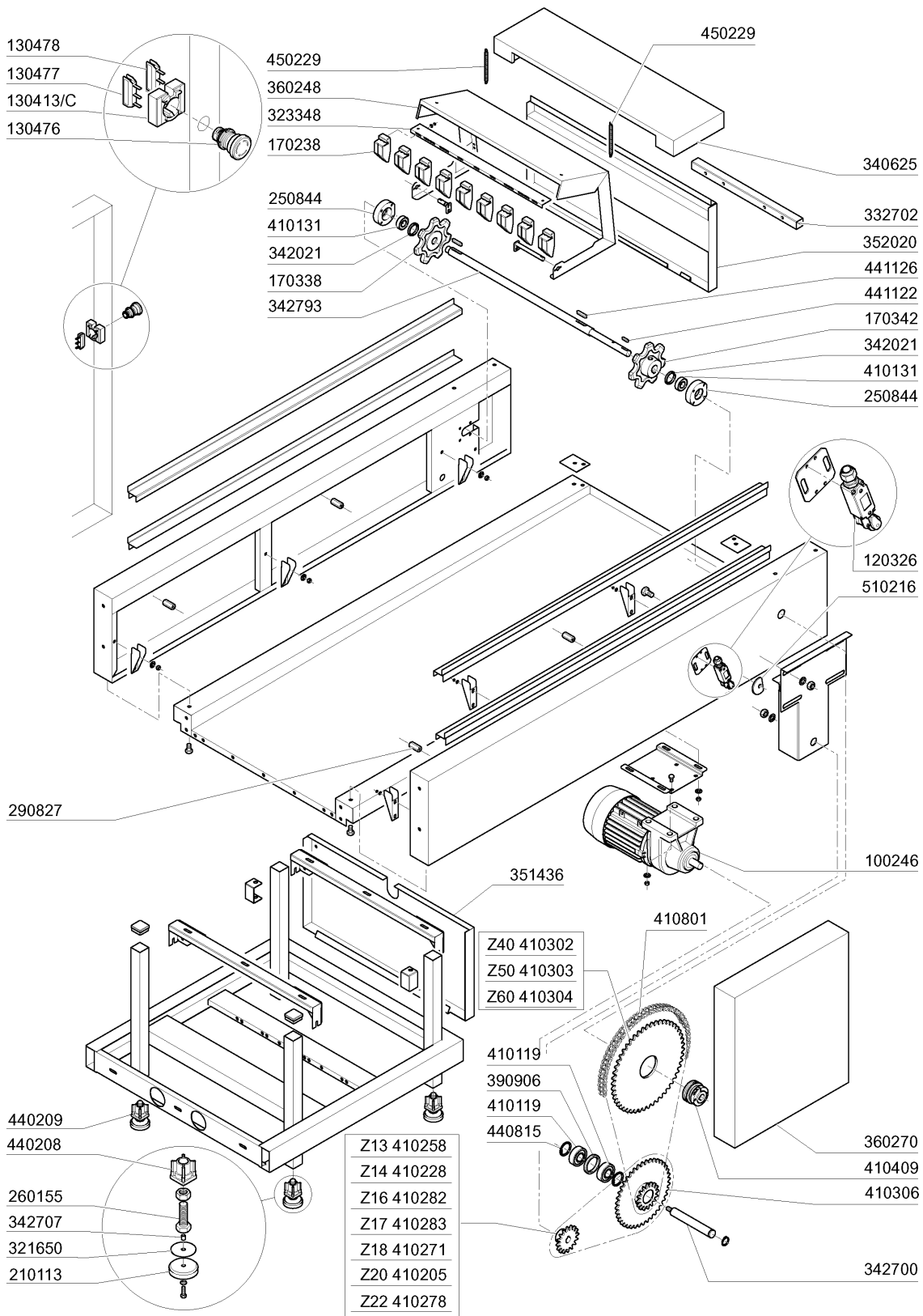
# 14 - Rinse assembly



M.G. 10/07

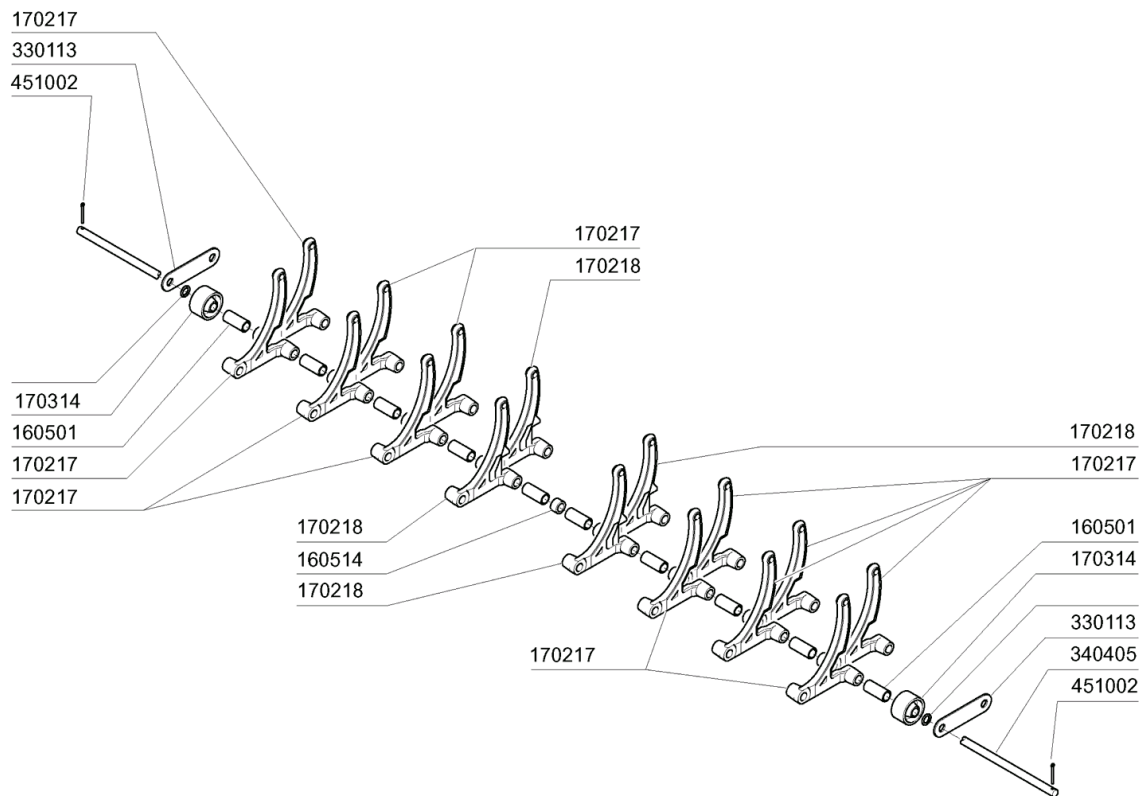
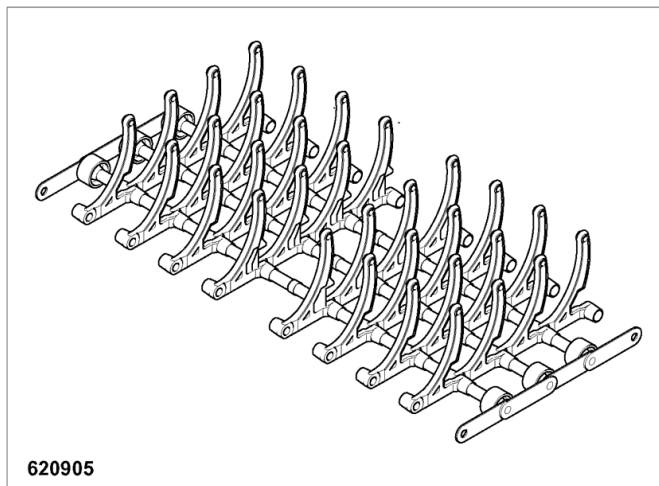
## 14 - Rinse assembly

| CODE   | DESCRIPTION                     |
|--------|---------------------------------|
| 120141 | SOLE.N.VALVE METAL.328000 D.1/2 |
| 120326 | MICRO SWITCH FD 102             |
| 120910 | ELECTRONIC TOUCH PAD CONTROLS   |
| 160203 | ELBOW 1"1/2 N-S-F-C /DRAIN      |
| 160301 | DRAIN OUTLET 1"1/2 C-S-N        |
| 161113 | ELMENT COVER BLACK              |
| 180102 | DRAIN PIPE NUT 1"1/2 F45-55     |
| 180109 | LOCK NUT 1 1/2"                 |
| 200113 | RUBBER HOSE 12 X 22             |
| 200410 | DRAIN OUTL.WASH.1 1/2"65X47X2   |
| 200412 | GASKET DRAIN 11/2" 45X33X3      |
| 200480 | GASKET F. RINSE CONNECT.        |
| 200809 | OR GASKET 1,78X8,73X12,29       |
| 251302 | S/S LOCK NUT 3/4" AC-ACR        |
| 270101 | HEXAGON LOCK NUT 1/2"           |
| 280115 | ELL 1/2"                        |
| 280504 | MANIFOLD CONN.HOSE              |
| 280525 | NIPPLE                          |
| 280530 | CONNECT.3/4"X3/8"               |
| 281101 | 3/4" ADJ VALVE C/W GAUGE        |
| 290121 | BRASS PLUG 1/8"                 |
| 290215 | 1/2"BSP M/F UNION BRASS         |
| 290410 | NIPPLE 1/2"                     |
| 330322 | INSULATED BOILER D.230 N/S      |
| 330598 | ECORINSE FILTER                 |
| 330715 | UPPER BRACKET CURTAIN SNL-SE    |
| 370218 | RINSE ECONOMISER FOR NE02       |
| 380324 | RINSE JETS 52,5 80Ø OV1/8"      |
| 430214 | RINSE ARM NE02                  |
| 430457 | RINSE COLUMN NE02               |
| 450104 | CLAMP FE ZN H=12,5 15-24        |
| 450109 | CLAMP 50-65                     |
| 451123 | ELASTIC PIN 4X16                |
| 460502 | GASKET 30X21X2                  |
| 460503 | SEALING WASHER 38X27X2(3/4)     |
| 460528 | GASKET 15X10X2 FOR RINSE NIPPE  |
| 510216 | N RINSE GATE ECCENTRE           |
| 510403 | CONNECT.HOSE 90Ø1/2"X12         |
| 510407 | NIPPLE FOR BOILER N S           |
| 620754 | FLUX CONTROL                    |



M.G. 01/08

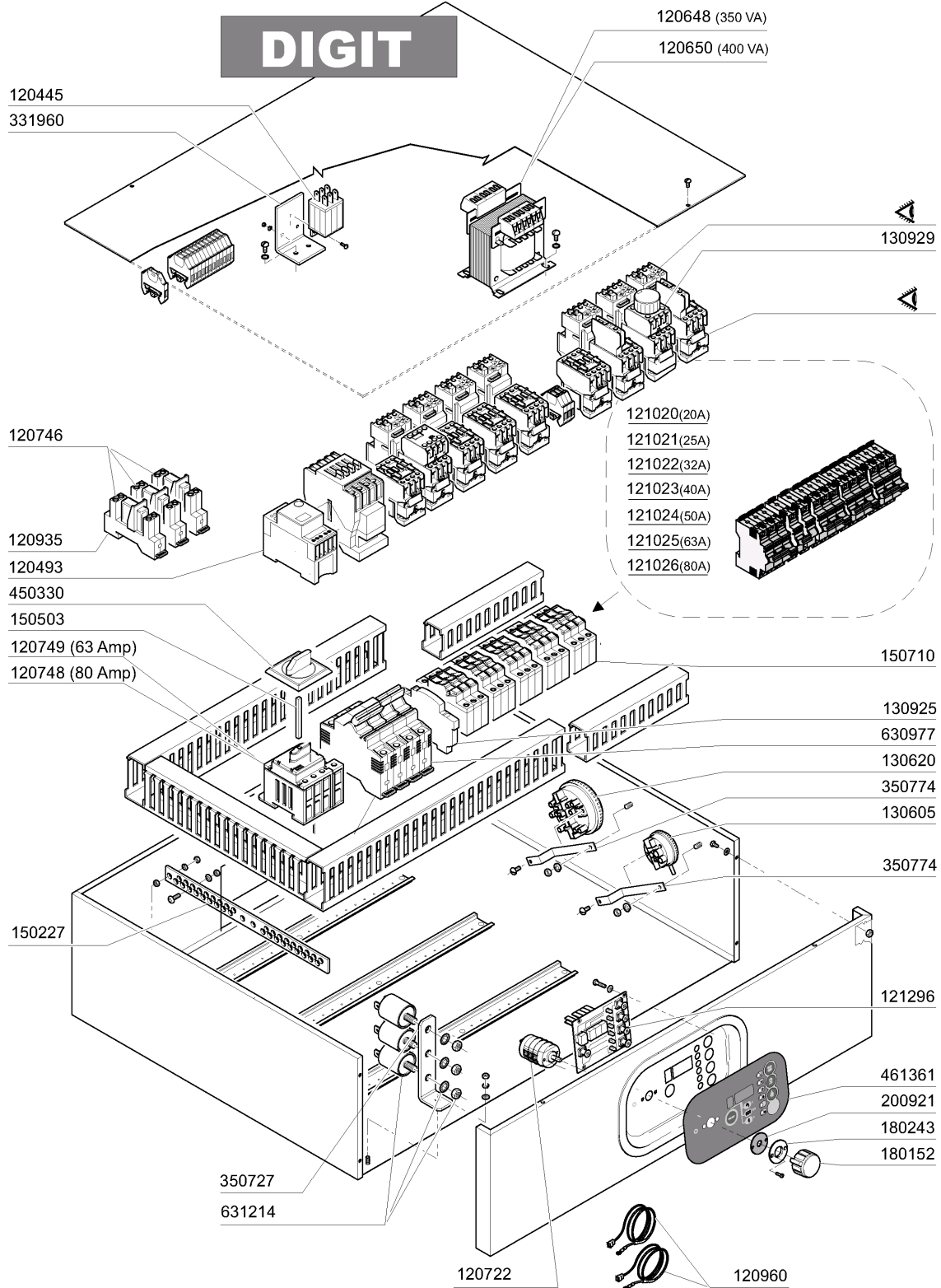
| CODE     | DESCRIPTION                    |
|----------|--------------------------------|
| 100246   | DRIVE KW 0,1-0,15 380/3        |
| 120326   | MICRO SWITCH FD 102            |
| 130413/C | SUPPORT FOR ABB SWITCH         |
| 130476   | ROTATIVE EMERGENCY SWITCH      |
| 130477   | CONTACT NC                     |
| 130478   | CONTACT N.O.                   |
| 170238   | PEG END RUN ARM NE/2           |
| 170338   | PLASTIC PINION Z7 P60          |
| 170342   | PINION                         |
| 210113   | FOOT NE/2                      |
| 250844   | SUPPORT                        |
| 260155   | SCREW M16X80 ST.STEEL          |
| 290827   | SPACER NG-LVP1001              |
| 321650   | PLATE FOR FOOT                 |
| 323348   | SUPPORT FOR FINGERS            |
| 332702   | DOOR HANDLE 400 NL2            |
| 340625   | EXIT TABLE COVER               |
| 342021   | SPACER                         |
| 342700   | PIN                            |
| 342707   | SPACER                         |
| 342793   | DRIVE UNIT NL2                 |
| 351436   | SIDE PANEL                     |
| 352020   | FRONT PANEL                    |
| 360248   | COVER                          |
| 360270   | BCK COVER CHANNEL              |
| 390906   | SPACER                         |
| 410119   | RADIAL BEARING 32X15X9         |
| 410131   | S/S BALL BEARING 6004 2RS 20X4 |
| 410205   | PINION Z 14 - 1/2              |
| 410228   | TURNED PINION Z14-1/2"-D.19    |
| 410258   | PINION Z13-1/2" D19            |
| 410271   | PINION Z18 1/2-D.19            |
| 410278   | PINION Z22 1/2 D19             |
| 410282   | PINION Z16-1/2-D.19            |
| 410283   | PINION Z17-1/2-D.19            |
| 410302   | CROWN DISCS 40T 1/2" PITCH     |
| 410303   | CROWN DISCS 50T 1/2" PITCH     |
| 410304   | CROWN DISCS 60T 1/2"PITCH      |
| 410306   | GROUP CROWN-SPROCKET Z14/40    |
| 410409   | TORQUE LIMITER LC2             |
| 410801   | DRIVE CHAIN 1/2" N-S           |
| 440208   | FOOT INSERT                    |
| 440209   | COMPLETE FOOT NE               |
| 440815   | INTERN.SEAL RING D.32          |
| 441122   | DRIVE SHAFT KEY 6X6X25 UNI 660 |
| 441126   | DRIVE SHAFT KEY 8X7X40         |
| 450229   | STAINL.ST SPRING LIMIT SWITCH  |
| 510216   | N RINSE GATE ECCENTRE          |



M.G. 10/07

16 - Conveyor

| <b>CODE</b> | <b>DESCRIPTION</b>             |
|-------------|--------------------------------|
| 160501      | SPACER FLIGHT D.9X25 CONVEYOR  |
| 160514      | SPACER 7,9 108378 MOP          |
| 170217      | FINGER FOR BELT 60MM           |
| 170218      | CENTRAL FINGER 60MM CONVEYOR B |
| 170314      | GRAY BELTWHEEL N               |
| 330113      | LINKS                          |
| 340405      | SHAFT FOR BELTN D.8X611        |
| 451002      | COTTER PIN STAINL.ST. D2X12    |
| 620905      | BELT NL2 P.60                  |



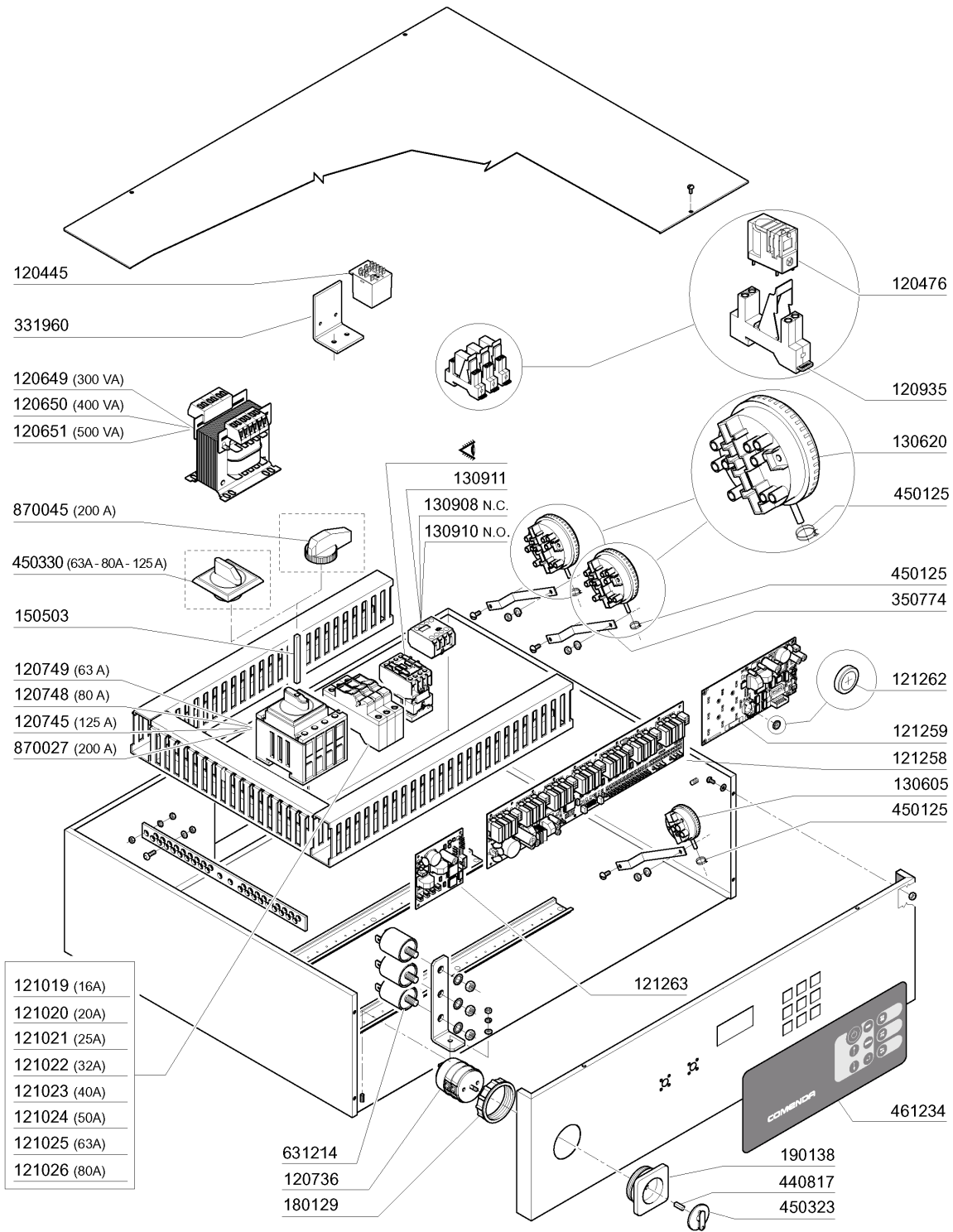
M.G. 10/07

## 17 - Control Box

| CODE   | DESCRIPTION                    |
|--------|--------------------------------|
| 120445 | AUXILIARY RELAY S.B2/3 24V     |
| 120493 | RELAY 130180240000             |
| 120648 | TRANSFORMER 250VA225-240-380-4 |
| 120650 | TRANSFORMER 400VA225-240-380-4 |
| 120722 | 6 POLE SWITVH 2 POSITIONS      |
| 120746 | SELECTOR WITH LIGHT RM650R     |
| 120748 | MAINSWITCH 80A 4P              |
| 120749 | MAINSWITCH 63A 4P              |
| 120935 | SUPPORT                        |
| 120960 | PROBE C-G                      |
| 121020 | CIRCUIT BREAKER 20A            |
| 121021 | CIRCUIT BREAKER 25A            |
| 121022 | CIRCUIT BREAKER 32A            |
| 121023 | CIRCUIT BREAKER 40A            |
| 121024 | CIRCUIT BREAKER 50A            |
| 121025 | CIRCUIT BREAKER 63A            |
| 121026 | MAGN.SWITCH 80A                |
| 121296 | ELECTRONIC CONTROL PANEL       |
| 130605 | PRESSURE SWITCH 50-30 1 LEVEL  |
| 130620 | PRESSURE SWITCH 3 LEVEL 50-30/ |
| 130925 | CONTACT FOR CIRCUIT BREAKER    |
| 130929 | CONTACT ABB 1NO/1NC 30"        |
| 150227 | BRACKET                        |
| 150503 | EXTENTION FOR MAIN SWITCH      |
| 150710 | FUSE CARRIER 10,3X38 ART.21401 |
| 180152 | KNOB                           |
| 180243 | FLANGE                         |
| 200921 | GASKET                         |
| 331960 | BRACKET                        |
| 350727 | BRACKET                        |
| 350774 | BRACKET                        |
| 450330 | KNOB FOR MAIN SWITCH           |
| 461361 | PLATE ACS101-242 DIGIT         |
| 630977 | COIL FOR CIRCUIT BREAKER 24V   |
| 631214 | ANTI-NOISE FILTER 4011135007 3 |



# 18 - Control Box

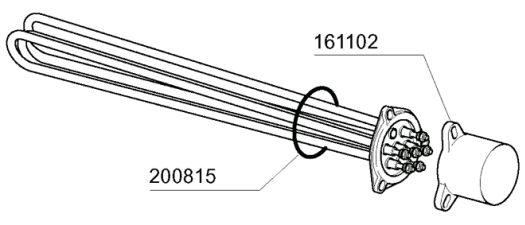


18 - Control Box

| CODE   | DESCRIPTION                    |
|--------|--------------------------------|
| 120445 | AUXILIARY RELAY S.B2/3 24V     |
| 120476 | RELAY 16A 24V                  |
| 120649 | TRANSFORMER 300VA225-240-380-4 |
| 120650 | TRANSFORMER 400VA225-240-380-4 |
| 120651 | TRANSFORMER 500VA225-240-380-4 |
| 120736 | 4 POLE MAIN SWITCH 25A 500V    |
| 120745 | MAIN SWITCH 4 POLE 125A        |
| 120748 | MAINSWITCH 80A 4P              |
| 120749 | MAINSWITCH 63A 4P              |
| 120935 | SUPPORT                        |
| 121019 | MAGNETOT.SWITCH S253C16        |
| 121020 | CIRCUIT BREAKER 20A            |
| 121021 | CIRCUIT BREAKER 25A            |
| 121022 | CIRCUIT BREAKER 32A            |
| 121023 | CIRCUIT BREAKER 40A            |
| 121024 | CIRCUIT BREAKER 50A            |
| 121025 | CIRCUIT BREAKER 63A            |
| 121026 | MAGN.SWITCH 80A                |
| 121258 | MAIN PCB E3                    |
| 121259 | KEYBOARD PCB                   |
| 121262 | LITHIUM BATTERY 3V.CR2450N     |
| 121263 | HPS BOARD                      |
| 130605 | PRESSURE SWITCH 50-30 1 LEVEL  |
| 130620 | PRESSURE SWITCH 3 LEVEL 50-30/ |
| 130908 | AUXILIARY CONTACT LA1 DO2 A65  |
| 130910 | CONTACT LA1 D20 A65            |
| 130911 | CONTACT LA1 D40 A65            |
| 150503 | EXTENTION FOR MAIN SWITCH      |
| 180129 | NUT FOR MAIN SWITCH SUPPORT    |
| 190138 | SUPPORT                        |
| 331960 | BRACKET                        |
| 350774 | BRACKET                        |
| 440817 | SNAP RING LSCB/1853/17/00      |
| 450125 | ELASTIC CLAMP D. 10,4X9,8      |
| 450323 | KNOB FOR BC-BR-C95-C155        |
| 450330 | KNOB FOR MAIN SWITCH           |
| 461234 | PLATE "ELECTRONIC 3"           |
| 631214 | ANTI-NOISE FILTER 4011135007 3 |
| 870027 | MAIN SWITCH 200A               |
| 870045 | SWITCH FOR MAIN SWITCH 200A    |

| <b>Modello</b>  | <b>Prelavaggio<br/>Prelavage<br/>Prewash<br/>Vorwaschzone<br/>Prelavado<br/>600</b> | <b>Prelavaggio<br/>Prelavage<br/>Prewash<br/>Vorwaschzone<br/>Prelavado<br/>900</b> | <b>Lavaggio<br/>Lavage<br/>Wash<br/>Waschzone<br/>Lavado<br/>900</b> | <b>2° Lavaggio<br/>Lavage<br/>Wash<br/>Waschzone<br/>Lavado<br/>900</b> | <b>Ecorinse<br/>Ecorinse<br/>Ecorinse<br/>Ecorinse<br/>Ecorinse</b> | <b>Risciacquo<br/>Rincage<br/>Rinse<br/>Nachspülung<br/>Aclarado</b> |
|-----------------|---|---|--|---|---|--|
| <b>NL 302</b>   |   |   | 14 Kw<br>(8kw+6kw)   |   |   | 16 Kw<br>(8kw+8kw)   |
| <b>NL 402</b>   |   |   | 14 Kw<br>(8kw+6kw)   |   |   | 18 Kw<br>(9kw+9kw)   |
| <b>NL 502</b>   |   | 9 Kw  | 14 Kw<br>(8kw+6kw)   |   |   | 21 Kw<br>(6kw+6kw+9kw)   |
| <b>NL 552</b>   |   |   | 12 Kw<br>(6kw+6kw)   | 14 Kw<br>(8kw+6kw)  |   | 23 Kw<br>(8kw+6kw+9kw)   |
| <b>NL 302/E</b> |   |   | 14 Kw<br>(8kw+6kw)   |   | 5 Kw  | 16 Kw<br>(8kw+8kw)   |
| <b>NL 402/E</b> |   |   | 14 Kw<br>(8kw+6kw)   |   | 5 Kw  | 18 Kw<br>(9kw+9kw)   |
| <b>NL 502/E</b> |   | 9 Kw  | 14 Kw<br>(8kw+6kw)   |   | 6 Kw  | 21 Kw<br>(6kw+6kw+9kw)   |
| <b>NL 552/E</b> |   |   | 12 Kw<br>(6kw+6kw)   | 14 Kw<br>(8kw+6kw)  | 6 Kw  | 23 Kw<br>(8kw+6kw+9kw)   |

**380 - 415V**

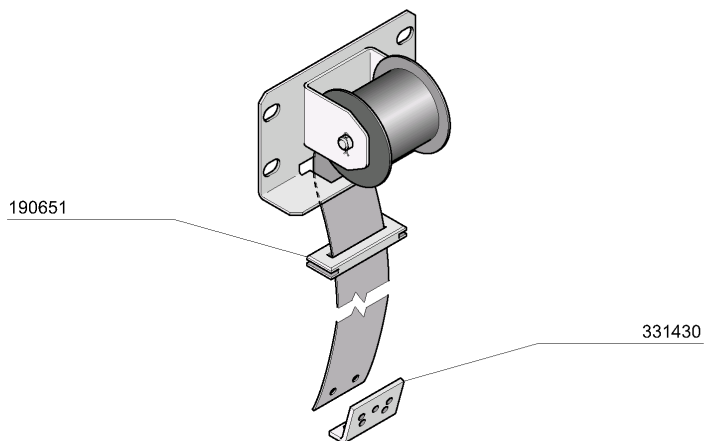
|   |      |        |
|---|------|--------|
|  <p>400V</p> | 5 Kw | 110283 |
|   | 6 Kw | 110349 |
|   | 8 Kw | 110343 |
|   | 9 Kw | 110362 |

M.G. 10/07

## 19 - Heating Elements

| CODE   | DESCRIPTION                 |
|--------|-----------------------------|
| 110283 | ECORINSE HEATER 5000W ACRS  |
| 110343 | HEAT.ELEM. 8000W 220/380V   |
| 110349 | HEAT.ELEMENT 6000W 230/400V |
| 110362 | HEAT.ELEMENT 9000W 220/380V |
| 161102 | ELEMENT COVER MOPL.         |
| 200815 | O-RING F. HEAT.ELEM.        |

## 20 - Spring For Counterbalancing doors



| <i>Tipo porta</i><br><i>Type porte</i><br><i>Door type</i><br><i>Türtyp</i><br><i>Modelo puerta</i> |   | 3,5 kg     | 4 kg     | 5 kg     |
|---|---|------------|----------|----------|
| <i>Cod.</i>   |   | 391317     | 391309   | 391331   |
| 400   | Doppia parete<br>Double skin<br>Double paroi<br>Doppelwandig<br>Dobla pared | (2x3,5) kg |          |          |
| 600   | Doppia parete<br>Double skin<br>Double paroi<br>Doppelwandig<br>Dobla pared |            |          | (2x5) kg |
| 900   | Doppia parete<br>Double skin<br>Double paroi<br>Doppelwandig<br>Dobla pared | (4x3,5) kg |          |          |
| 1000  | Doppia parete<br>Double skin<br>Double paroi<br>Doppelwandig<br>Dobla pared | (2x3,5) kg | (2x4) kg |          |

M.G. 01/10

## 20 - Spring For Counterbalancing doors

| CODE   | DESCRIPTION                 |
|--------|-----------------------------|
| 190651 | BUSH                        |
| 331430 | BRACKET FOR DOOR SPRING     |
| 391309 | DOOR SPRING 4KG - 40MM      |
| 391317 | DOOR SPRING 3,5KG - 40MM    |
| 391331 | SPRING ASSEMBLY KG. 5 MM 40 |

**1,5 KW 220-240 V | 380-415 V**

**100752 (50 Hz)**  
**100883 (60 Hz)**

**2,7 KW 220-240 V | 380-415 V**

**100782 (50 Hz)**  
**100822 (60 Hz)**

**"ECORINSE"**

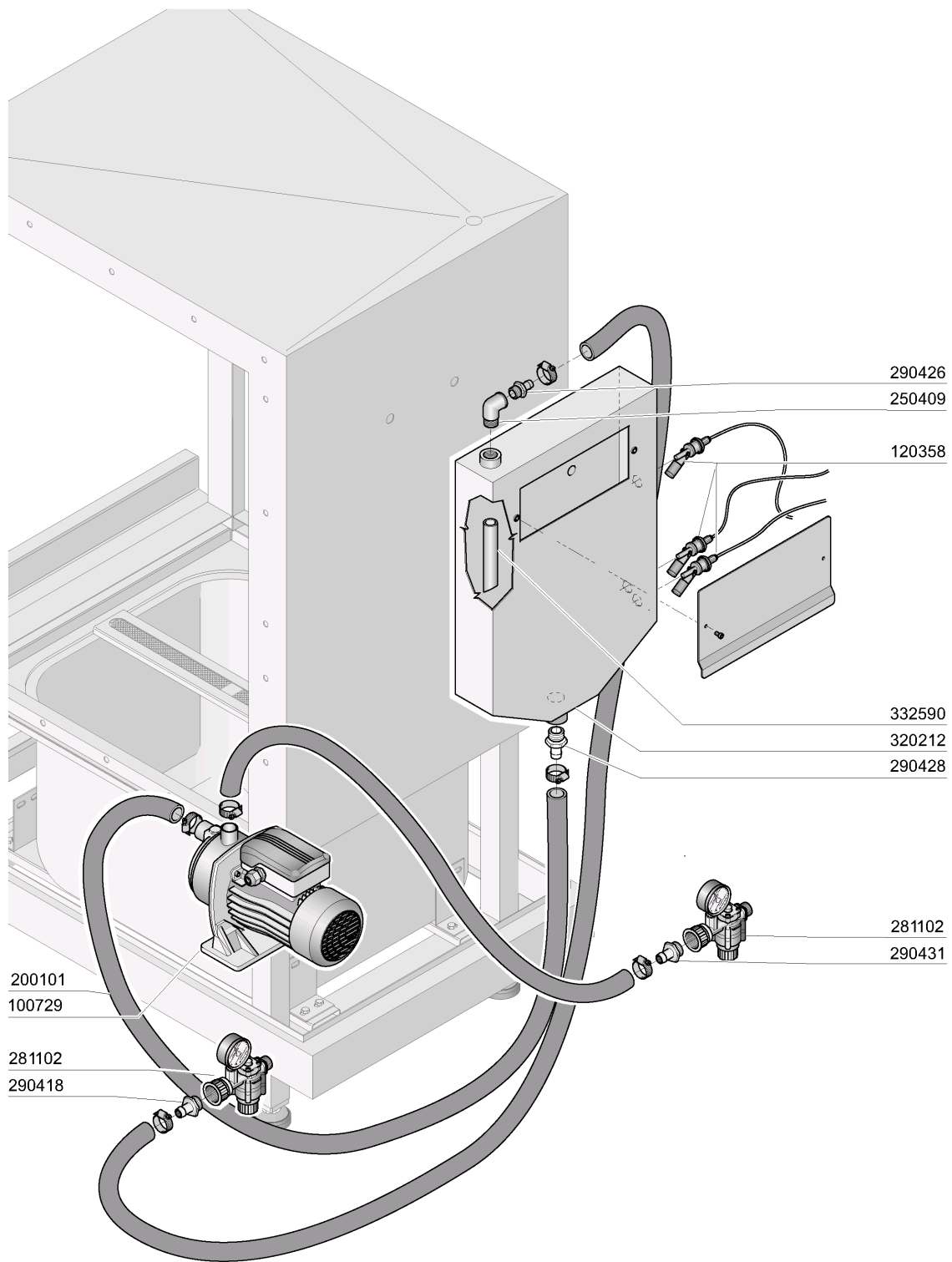
**0,35 KW 220-240 V | 380-415 V**

**100647 (50 Hz)**  
**100669 (60 Hz)**

| 220/240 V                                |      |   |        |  |        | 380/415 V   |        |  |        |  |
|--|------|---|--------|--|--------|---|--------|--|--------|--|
| Pompa<br>Pompe<br>Pump<br>Pumpe<br>Bomba |      | Teleruttore<br>Contacteur<br>Contactor<br>Schalterschütz<br>Contactor |        | Magnetotermici<br>Magneto-termique<br>Termo-magnetic<br>Magnetischer schalter<br>Magneto-termico |        | Teleruttore<br>Contacteur<br>Contactor<br>Schalterschütz<br>Contactor |        | Magnetotermici<br>Magneto-termique<br>Termo-magnetic<br>Magnetischer schalter<br>Magneto-termico |        |  |
| Hp                                       | Kw   | A   | cod.   | A  | cod    | A   | cod.   | A  | cod.   |  |
| 0,46                                     | 0,35 | 9   | 120428 | 1 ÷ 1,6  | 120821 | 9   | 120428 | 0,4 ÷ 0,63   | 120830 |  |
| 2  | 1,5  | 9   | 120468 | 4 ÷ 6  | 120824 | 9   | 120428 | 2,5 ÷ 4  | 120823 |  |
| 3,7                                      | 2,7  | 12  | 120429 | 7 ÷ 10   | 120828 | 9   | 120428 | 4 ÷ 6  | 120824 |  |

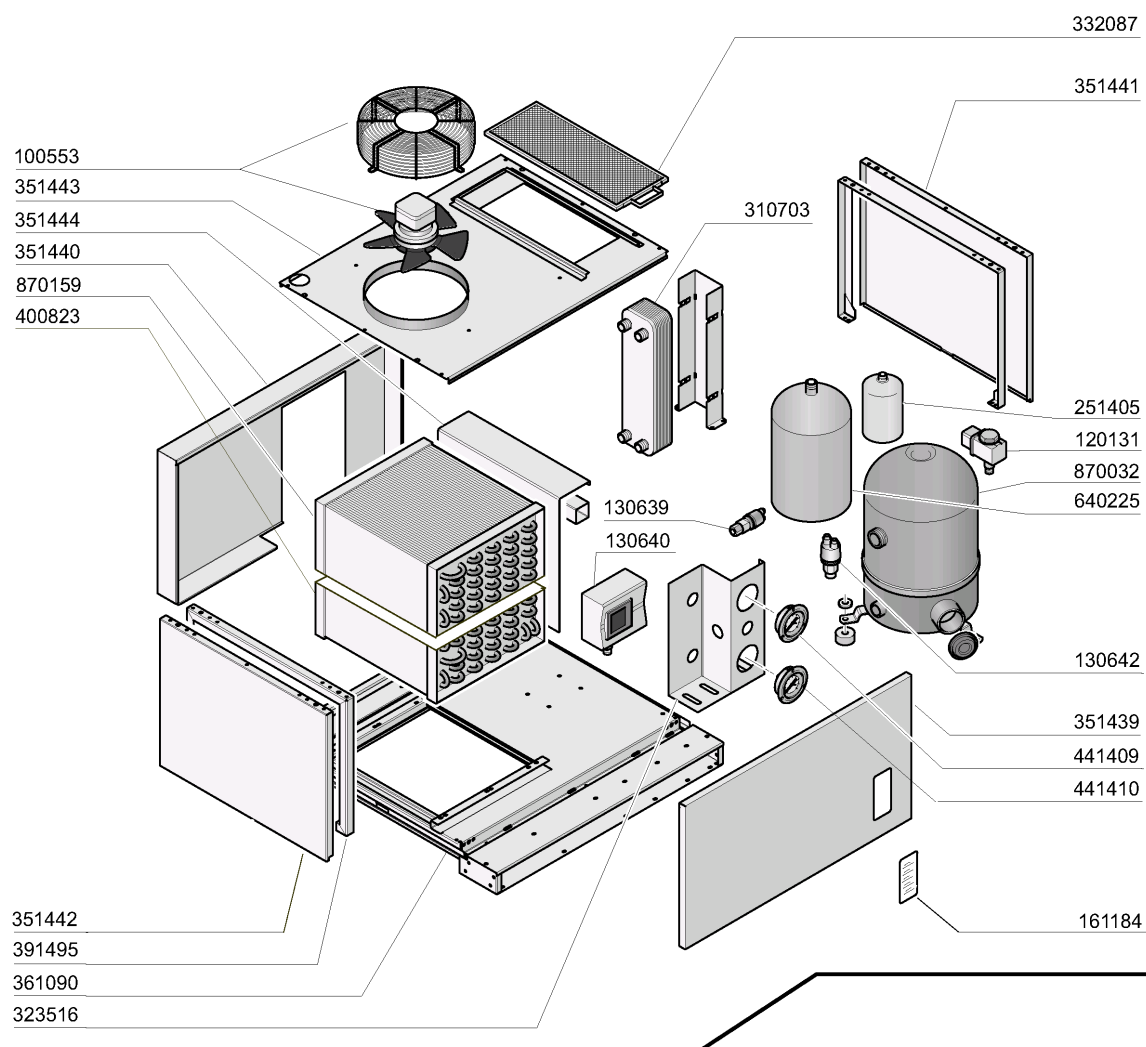
| CODE   | DESCRIPTION                    |
|--------|--------------------------------|
| 100647 | PUMP HP 0,20 220/240/3 4226    |
| 100669 | PUMP HP 0,12 220/380 60HZ C16  |
| 100752 | PUMP HP2 ZF800                 |
| 100782 | PUMP LGB ZF 1200 2,7 KW        |
| 100822 | PUMP SX LGB ZF1200 2,7KW 60HZ  |
| 100883 | PUMP HP 2 ZF800 60HZ           |
| 120428 | CONTACTOR 9A 24V 50HZ          |
| 120429 | CONTACTOR 12A 24V 50HZ         |
| 120468 | CONTACTOR ABB 9A 24V 50/60HZ   |
| 120821 | OVERLOAD RELAY 1/1,6A          |
| 120823 | OVERLOAD RELAY 2.5/4 A         |
| 120824 | OVERLOAD RELAY 4/6 A           |
| 120828 | OVERLOAD RELAY 7/10 A          |
| 120830 | OVERLOAD RELAY 0,40 - 0,63 A   |
| 630125 | VOLUTE 0,12/0,3(2212-29)       |
| 630137 | PUMP VOLUTE LGB ZF800DX        |
| 630145 | PUMP VOLUTE ZF1200             |
| 630235 | PUMP COVER 0,12/0,3 2212-19    |
| 630256 | PUMP FLANGE ZF800              |
| 630257 | PUMP FLANGE ZF1200             |
| 630331 | COOLING FAN FOR PUMP ZF800     |
| 630332 | COOLING FAN FOR PUMP ZF1200    |
| 630416 | OR FOR VOLUTE 0,12/0,3         |
| 630426 | GASKET LGB ZF800               |
| 630432 | GASKET FOR PUMP ZF1200         |
| 630511 | PUMP SEAL HP 0,10 82           |
| 630528 | SEAL LGB ZF800 2HP             |
| 630540 | SEAL FOR PUMP ZF1200           |
| 631675 | ST/ST PUMP IMPELLER 0,2HP 2226 |
| 631692 | IMPELLER PUMP ZF650/800        |
| 631705 | IMPELLER 60HZ FOR PUMP 100669  |
| 631706 | PUMP IMPELLER ZF1200SX         |
| 631708 | PUMP IMPELLER ZF1200DX         |
| 631709 | PUMP IMPELLER ZF800 60HZ       |



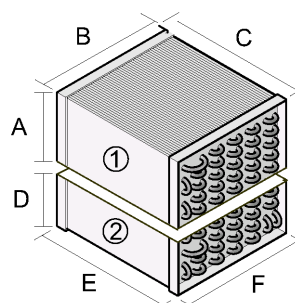


22 - Break tank\_TR

| CODE   | DESCRIPTION                   |
|--------|-------------------------------|
| 100729 | PUMP HP 0,4 220/240V 2HM3T    |
| 120358 | FLOATING MAGN.SWITCH          |
| 200101 | RUBBER TUBE 25X35             |
| 250409 | INOX ELL FF 1/2"              |
| 281102 | 1/2" ADJ VALVE C/W GAUGE TYPE |
| 290418 | NIPPLE 1/2"                   |
| 290426 | NIPPLE 1/2"                   |
| 290428 | NIPPLE M.3/4"                 |
| 290431 | NIPPLE 1/2"                   |
| 320212 | BREAK TANK BOX                |
| 332590 | STAINLESS STEEL HOSE FOR B.T. |

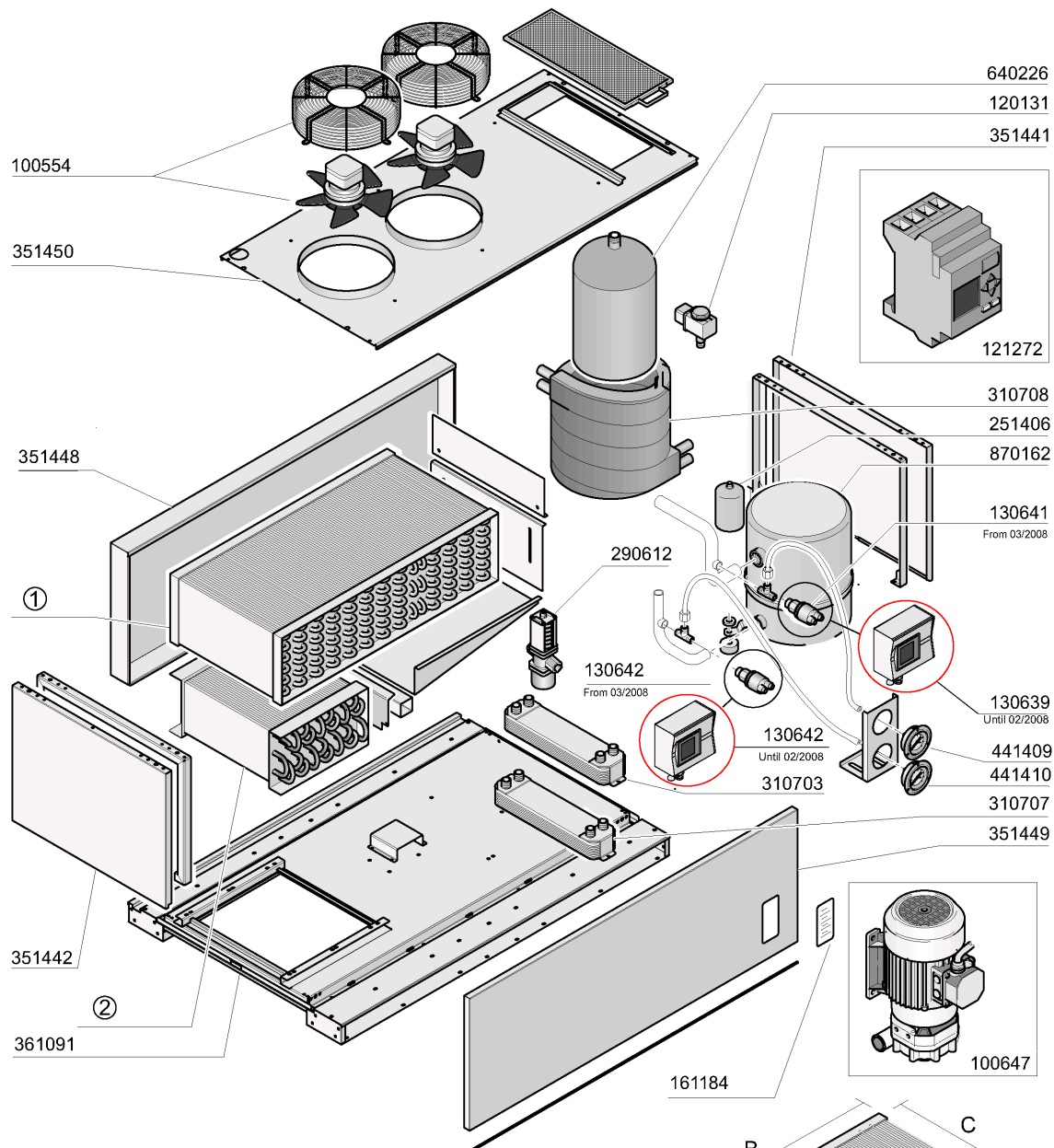


- ① - A x B x C = 298 x 423 x 490 = CODE 870159/RIV
- ① - A x B x C = 230 x 400 x 450 = CODE 870159
- ② - D x E x F = 142 x 490 x 423 = CODE 400823/RIV
- ② - D x E x F = 140 x 450 x 450 = CODE 400823

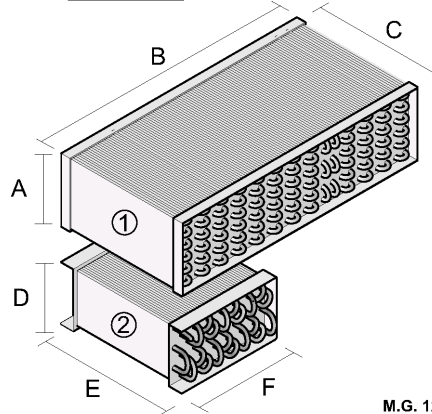


## 23 - Heat pumps WP4

| CODE       | DESCRIPTION                    |
|------------|--------------------------------|
| 100553     | WP4 FAN                        |
| 120131     | SOLEN. L182Q31-ZB10A 1/2"24V   |
| 130639     | LOW PRESSURE SWITCH WP         |
| 130640     | HIGH PRESSURE SWITCH WP        |
| 130642     | PRESSURE SWITCH WP4-LOW PRESS. |
| 161184     | MANOMETER INSPECTION GLASS     |
| 251405     | FILTER WP4                     |
| 310703     | RINSE WATER CONDENSOR          |
| 323516     | MANOMETER SUPPORT              |
| 332087     | WP4 COVER FILTER               |
| 351439     | FRONT PANEL 750 MM             |
| 351440     | BACK PANEL 750MM               |
| 351441     | ENTRY PANEL 750MM              |
| 351442     | EXIT PANEL 750MM               |
| 351443     | UPPER PANEL 750MM              |
| 351444     | PARZIALIZZATORE WP 750MM       |
| 361090     | BASEMENT WP4                   |
| 391495     | LEFT SIDE HOOD                 |
| 400823     | BATTERY WP4                    |
| 400823/RIV | BATTERY WP4                    |
| 441409     | MANOMETRO ASPIRAZIONE (WP)     |
| 441410     | MANOMETRO CONDENSAZIONE (WP)   |
| 640225     | LIQUID GAS CONTAINER FOR WP4   |
| 870032     | COMPRESSOR WP4                 |
| 870159     | EVAPORATOR WP4                 |
| 870159/RIV | EVAPORATOR WP4                 |



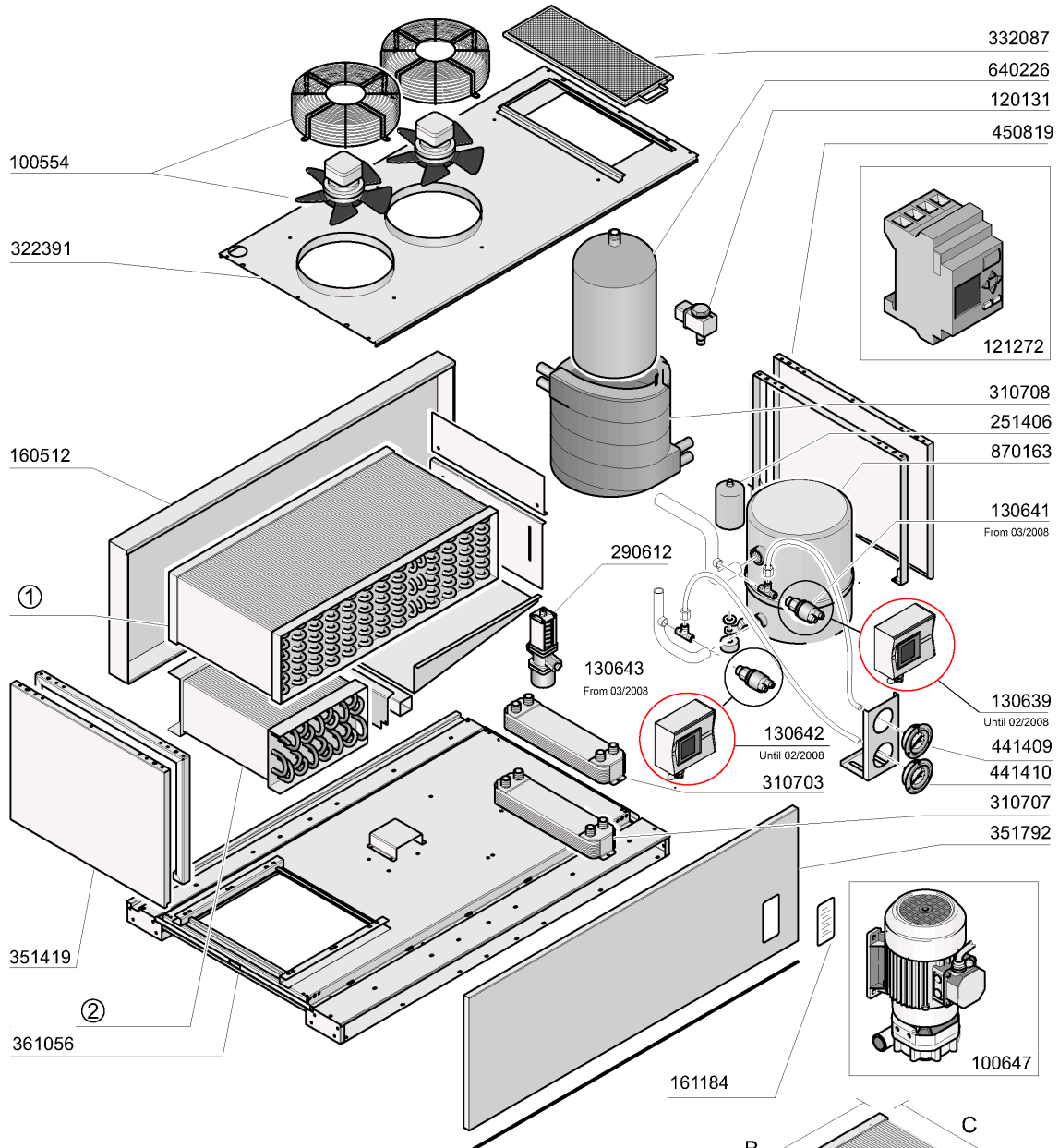
- ① A x B x C = 250 x 800 x 460 = CODE 870164/RIV
- ① A x B x C = 175 x 750 x 450 = CODE 870164
- ② D x E x F = 190 x 460 x 460 = CODE 400824/RIV
- ② D x E x F = 175 x 450 x 450 = CODE 400824







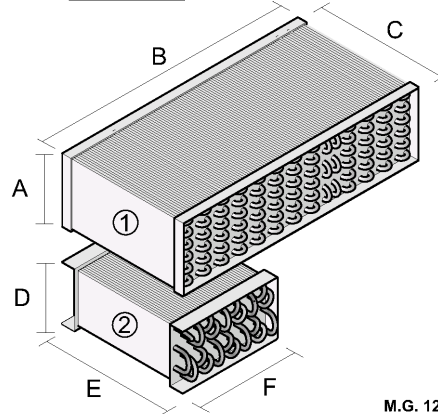
M.G. 12/09

## 24 - Heat pumps WP6

| CODE       | DESCRIPTION                    |
|------------|--------------------------------|
| 100554     | WP6/WP8 FAN                    |
| 100647     | PUMP HP 0,20 220/240/3 4226    |
| 120131     | SOLEN. L182Q31-ZB10A 1/2"24V   |
| 121272     | PLC                            |
| 130639     | LOW PRESSURE SWITCH WP         |
| 130641     | PRESSOS WP4 LOW PRESS 2.2 BAR  |
| 130642     | PRESSURE SWITCH WP4-LOW PRESS. |
| 161184     | MANOMETER INSPECTION GLASS     |
| 251406     | FILTER WP6-WP8                 |
| 290612     | VALVOLA PRESSOSTATICA(WP6-WP8) |
| 310703     | RINSE WATER CONDENSOR          |
| 310707     | CONDENS.GAS/ACQUA BY-PASS (WP) |
| 310708     | CONDENSER (WP)                 |
| 351441     | ENTRY PANEL 750MM              |
| 351442     | EXIT PANEL 750MM               |
| 351448     | BACK PANEL 1250MM WP           |
| 351449     | 1250MM WP FRONT PANEL          |
| 351450     | UPPER PANEL 1250MM             |
| 361091     | BASEMENT WP6                   |
| 400824     | BATTERY WP6                    |
| 400824/RIV | BATTERY WP6                    |
| 441409     | MANOMETRO ASPIRAZIONE (WP)     |
| 441410     | MANOMETRO CONDENSAZIONE (WP)   |
| 640226     | LIQUID GAS CONTAINER FOR WP6-8 |
| 870162     | COMPRESSOR WP6                 |
| 870164     | EVAPORATOR WP6                 |
| 870164/RIV | EVAPORATOR WP6                 |



- ①  A x B x C = 250 x 800 x 460 = CODE 870165/RIV
- ①  A x B x C = 175 x 750 x 450 = CODE 870165
- ②  D x E x F = 190 x 460 x 460 = CODE 400825/RIV
- ②  D x E x F = 175 x 450 x 450 = CODE 400825

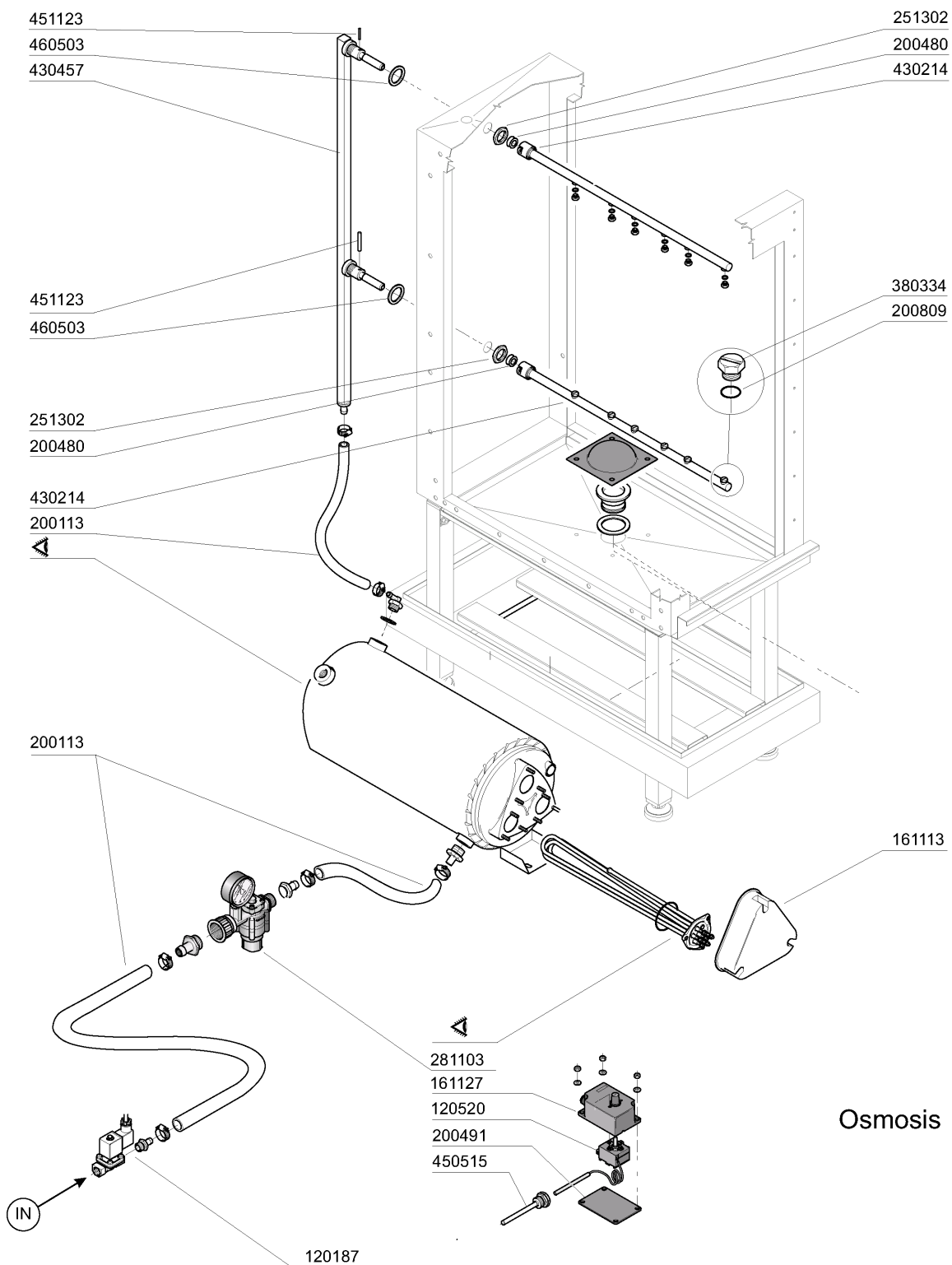


M.G. 12/09

## 25 - Heat pumps WP8

| CODE       | DESCRIPTION                    |
|------------|--------------------------------|
| 100554     | WP6/WP8 FAN                    |
| 100647     | PUMP HP 0,20 220/240/3 4226    |
| 120131     | SOLEN. L182Q31-ZB10A 1/2"24V   |
| 121272     | PLC                            |
| 130639     | LOW PRESSURE SWITCH WP         |
| 130641     | PRESSOS WP4 LOW PRESS 2.2 BAR  |
| 130642     | PRESSURE SWITCH WP4-LOW PRESS. |
| 130643     | HIGH PRESSURE PRESS.SWITCH WP  |
| 160512     | SPACER 35,5                    |
| 161184     | MANOMETER INSPECTION GLASS     |
| 251406     | FILTER WP6-WP8                 |
| 290612     | VALVOLA PRESSOSTATICA(WP6-WP8) |
| 310703     | RINSE WATER CONDENSOR          |
| 310707     | CONDENS.GAS/ACQUA BY-PASS (WP) |
| 310708     | CONDENSER (WP)                 |
| 322391     | PANNELLO SUPERIORE WP 1500MM   |
| 332087     | WP4 COVER FILTER               |
| 351419     | FRONT PANEL WP                 |
| 351792     | PANNELLO ANTERIORE WP NE2      |
| 361056     | BASEMENT WP8                   |
| 400825     | BATTERIA PRERISCALD.ACQUA(WP8) |
| 400825/RIV | BATTERY WP6                    |
| 441409     | MANOMETRO ASPIRAZIONE (WP)     |
| 441410     | MANOMETRO CONDENSAZIONE (WP)   |
| 450819     | STAINL.ST SCREW M6             |
| 640226     | LIQUID GAS CONTAINER FOR WP6-8 |
| 870163     | COMPRESSORE POMPA WP8          |
| 870165     | EVAPORATOR WP8                 |
| 870165/RIV | EVAPORATOR WP8                 |





Osmosis

M.G 01/09

| CODE   | DESCRIPTION                    |
|--------|--------------------------------|
| 120187 | SOLENOID VALVE 3/4" 24V        |
| 120520 | SECURITY THERMOSTAT 110-130Ø   |
| 161113 | ELMENT COVER BLACK             |
| 161127 | BOX FOR THERMOSTAT             |
| 200113 | RUBBER HOSE 12 X 22            |
| 200480 | GASKET F. RINSE CONNECT.       |
| 200491 | BACK GASKET OF THERMOSTAT BOX  |
| 200809 | OR GASKET 1,78X8,73X12,29      |
| 251302 | S/S LOCK NUT 3/4" AC-ACR       |
| 281103 | ADJ. VALUE                     |
| 380334 | JET                            |
| 430214 | RINSE ARM NE02                 |
| 430457 | RINSE COLUMN NE02              |
| 450515 | STAINL.ST.SHIELD FOR 1 THERMOS |
| 451123 | ELASTIC PIN 4X16               |
| 460503 | SEALING WASHER 38X27X2(3/4)    |